

THE ENGINE & INTERIOR

STEERING WHEEL

Constructing the **STEERING WHEEL** of your Aston Martin DB5 model.

THE PARTS YOU WILL NEED:

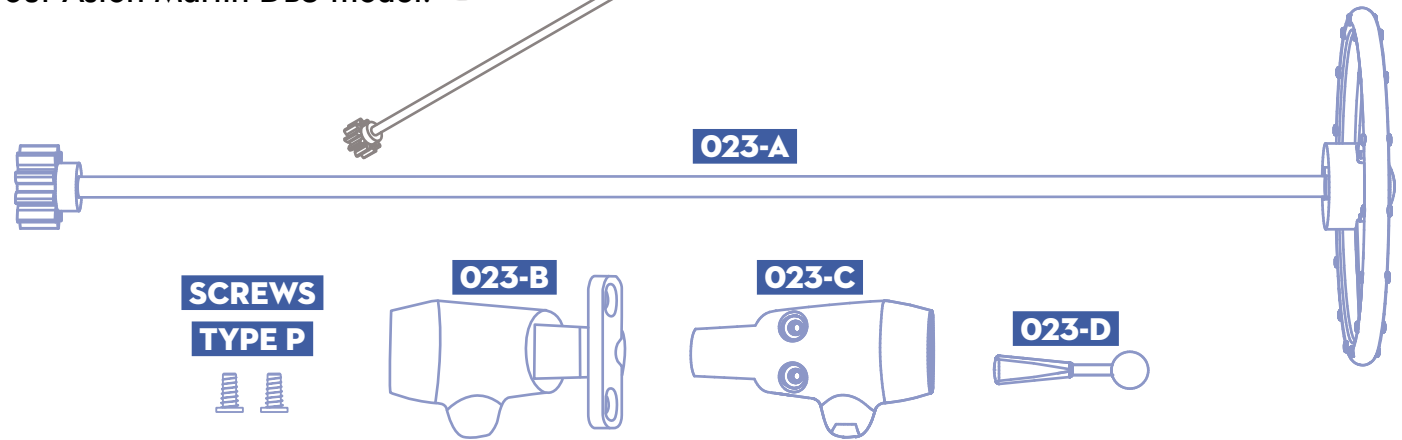
023-A: Steering wheel, steering wheel shaft and electronic connection

023-B: Upper steering column

023-C: Lower steering column

023-D: Headlamp control

SCREWS: Type P (x2)

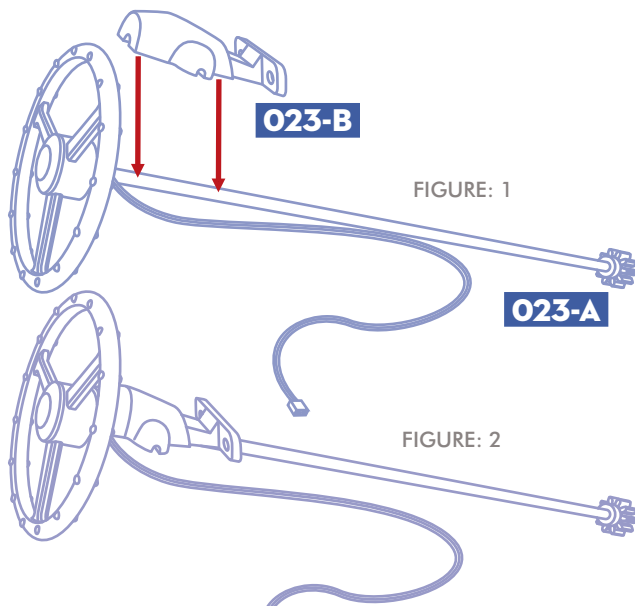


NOTE: Parts not shown to scale.

STEP 1

PARTS: 023-A, 023-B

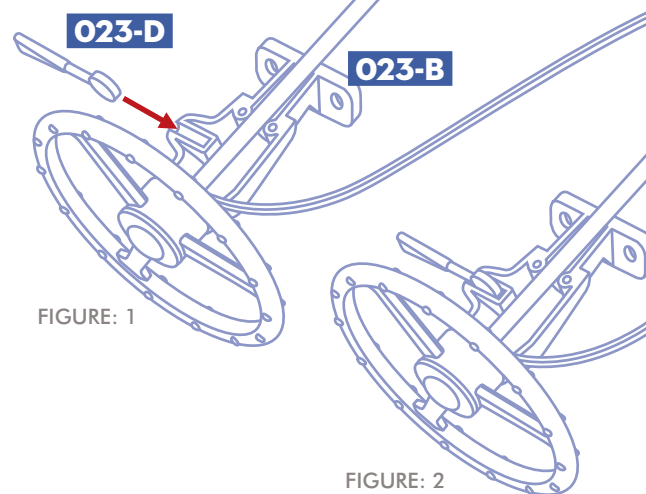
Clip the upper steering column (023-B) to near the top of the steering shaft (023-A), as shown.



STEP 2

PARTS: 023-A, 023-B, 023-D

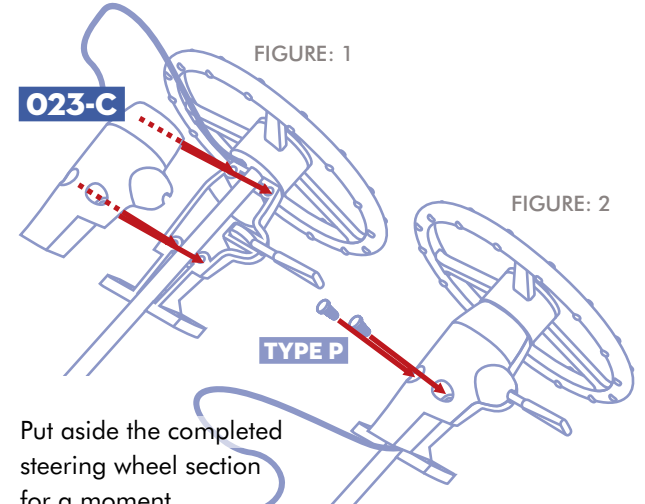
Turn the steering wheel column (023-A) upside down and clip the headlamp control (023-D) so it fits into the upper steering column (023-B) as shown.



STEP 3

PARTS: 023-A, 023-C

Keeping the steering wheel column upside down, clip the lower steering column (023-C) onto the upper part so the headlamp control and the electronic connection are encased. Screw the upper and lower steering column pieces together with two Type P screws.



Put aside the completed steering wheel section for a moment.