

THE ENGINE & INTERIOR

DASHBOARD

Constructing the **DASHBOARD** of your Aston Martin DB5 model.

THE PARTS YOU WILL NEED:

READER-ASSEMBLED PARTS:

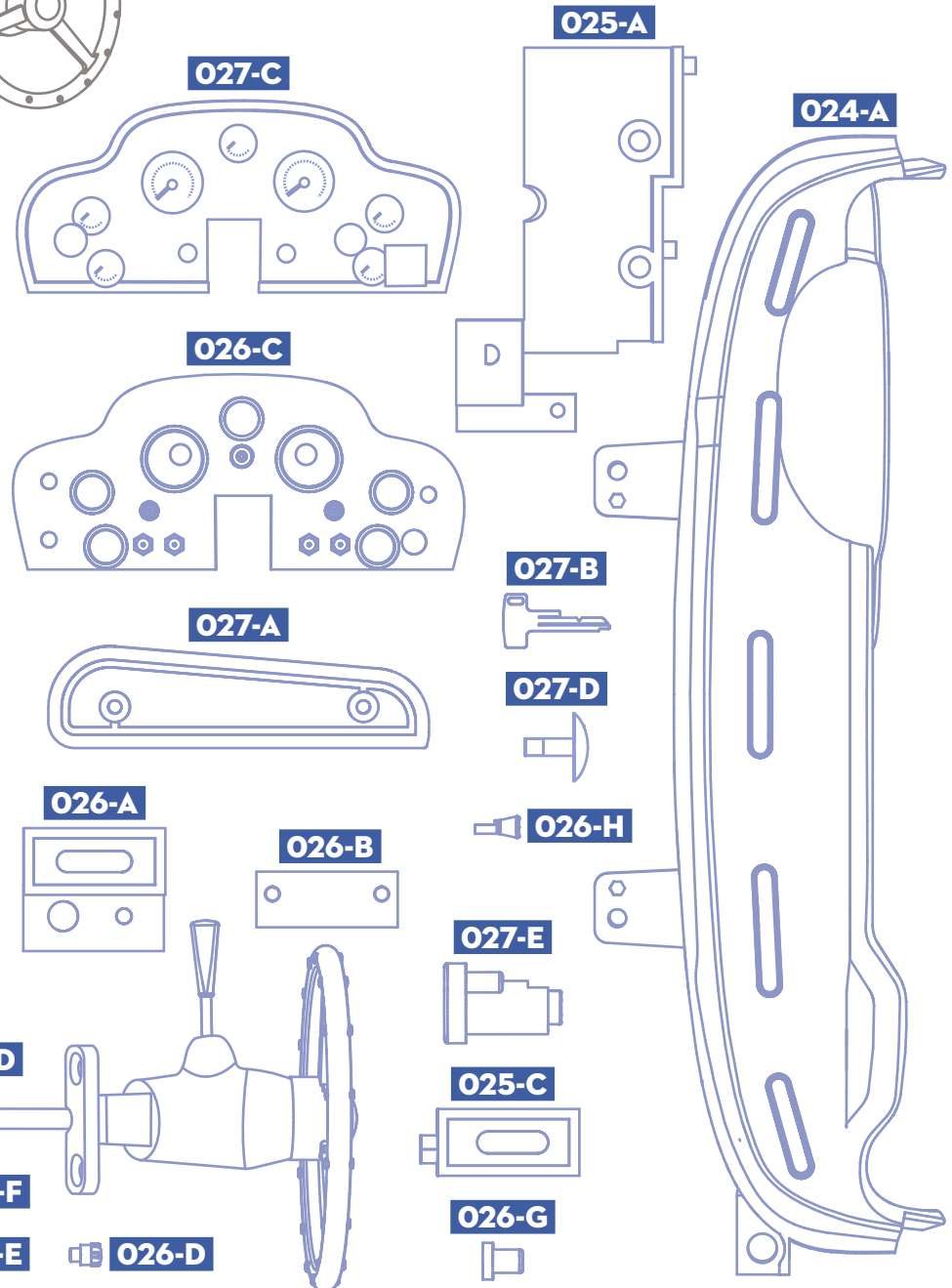
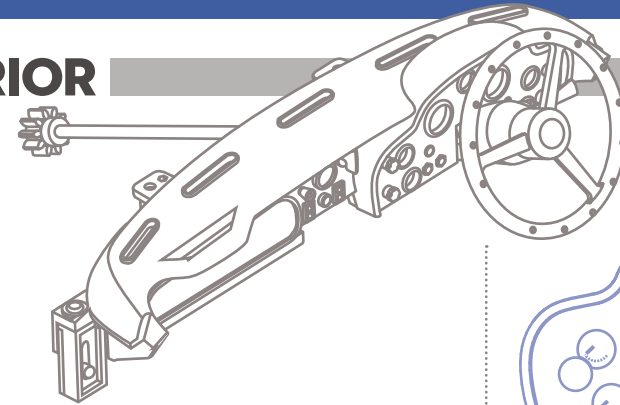
- Steering wheel section

NUMBERED PARTS:

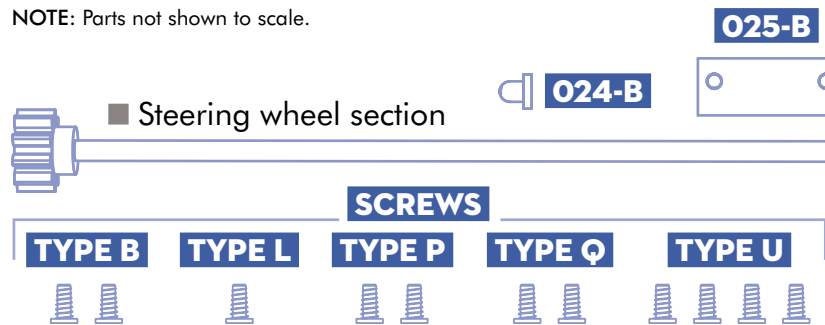
- 024-A**: Dashboard and electronic connection
- 024-B**: Right air vent switch
- 025-A**: Mount plate and electronic connection
- 025-B**: Left air vent cover
- 025-C**: Left air vent unit
- 025-D**: Left air vent switch
- 026-A**: Right air vent unit
- 026-B**: Right air vent cover
- 026-C**: Control front plate

- 026-D**: Console dial
- 026-E**: Console dial
- 026-F**: Console dial
- 026-G**: Light switch
- 026-H**: Lighter
- 027-A**: Glove compartment door
- 027-B**: Ignition key
- 027-C**: Control clear plate
- 027-D**: Choke
- 027-E**: Key switch unit and electronic connection

SCREWS: Type B (x2), L (x1), P (x2), Q (x2), U (x4)



NOTE: Parts not shown to scale.



THE ENGINE & INTERIOR

DASHBOARD

Constructing the **DASHBOARD** of your Aston Martin DB5 model.

RIGHT AIR-VENT ASSEMBLY:

STEP 1

PARTS: 024-B, 026-A

Clip the right air-vent switch (024-B) to the right air-vent unit (026-A).

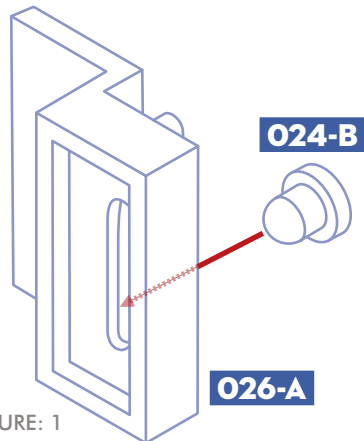


FIGURE: 1

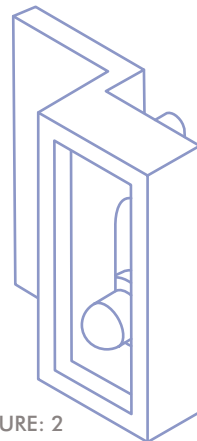


FIGURE: 2

STEP 2

PART: 026-B

Clip the right air-vent cover (026-B) to the back of the assembled pieces.

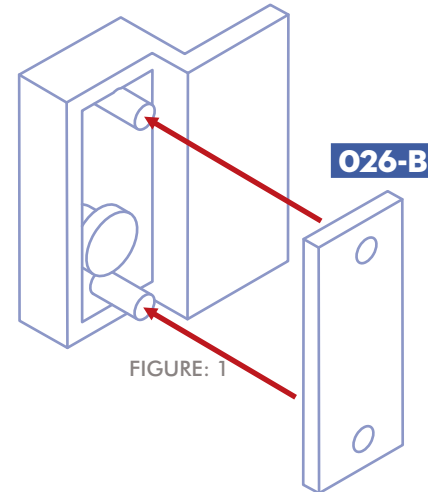


FIGURE: 1

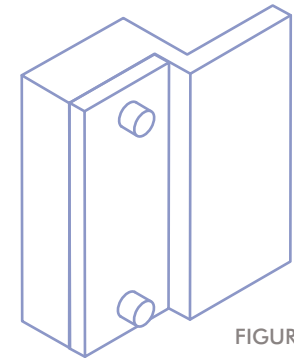


FIGURE: 2

Put this piece to one side for a moment.

LEFT AIR-VENT ASSEMBLY:

STEP 3

PARTS: 025-C, 025-D

Clip the left air-vent switch (025-D) to with the left air-vent unit (025-C).

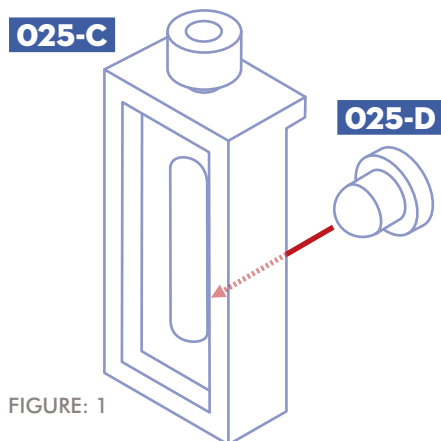


FIGURE: 1

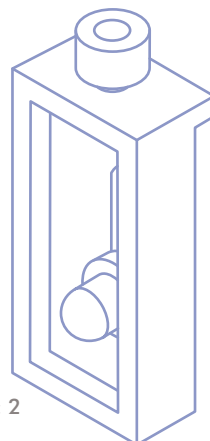


FIGURE: 2

STEP 4

PART: 025-B

Clip the air-vent left cover (025-B) to the back of the left air-vent unit.

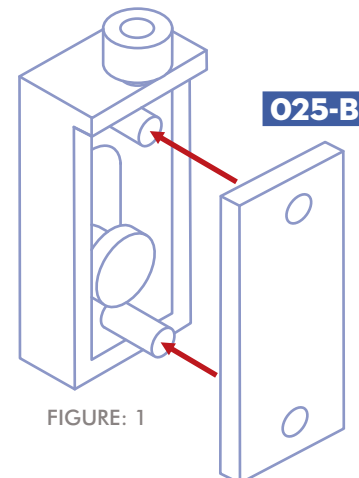


FIGURE: 1

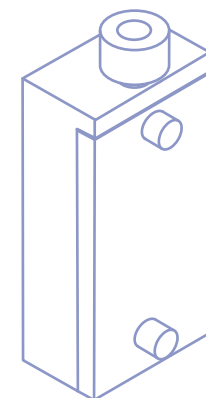
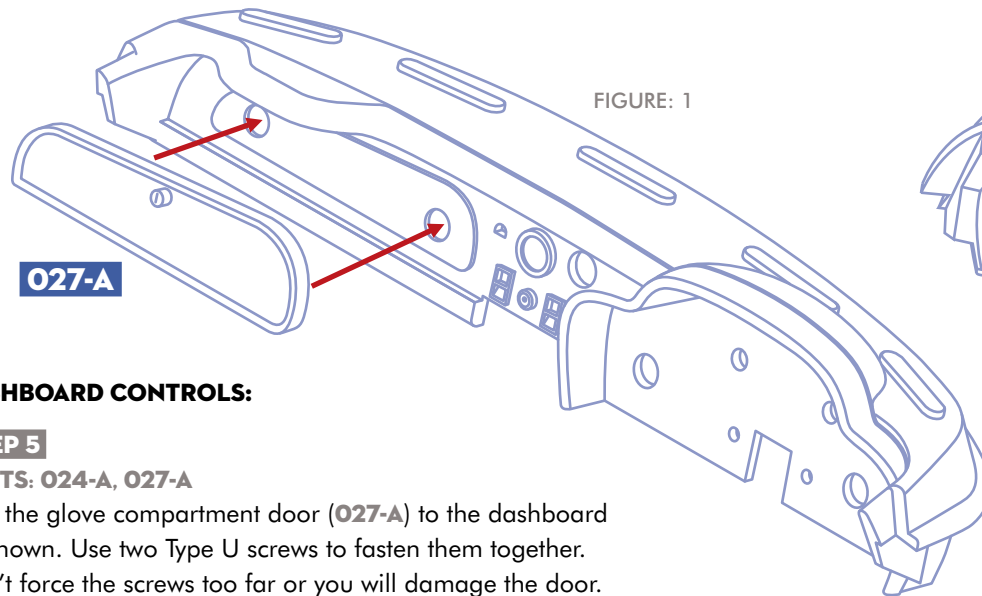


FIGURE: 2

Put this piece to one side for a moment.

Constructing the **DASHBOARD** of your Aston Martin DB5 model.

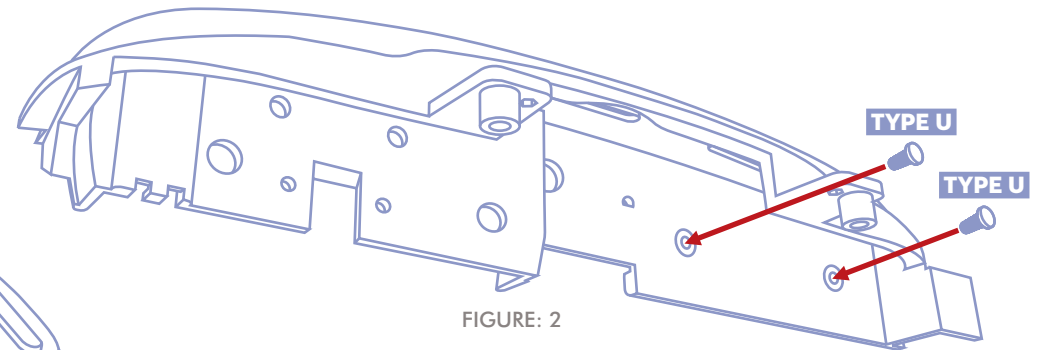


DASHBOARD CONTROLS:

STEP 5

PARTS: 024-A, 027-A

Clip the glove compartment door (**027-A**) to the dashboard as shown. Use two Type U screws to fasten them together. Don't force the screws too far or you will damage the door.

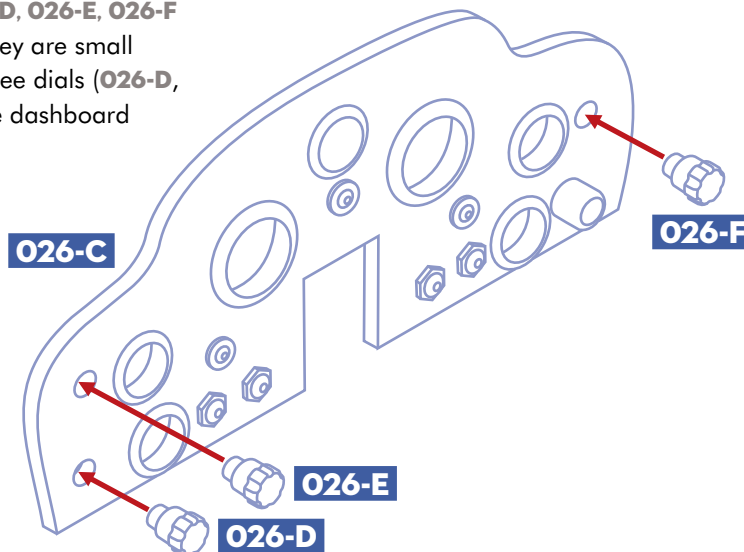


Put this piece to one side for a moment.

STEP 6

PARTS: 026-C, 026-D, 026-E, 026-F

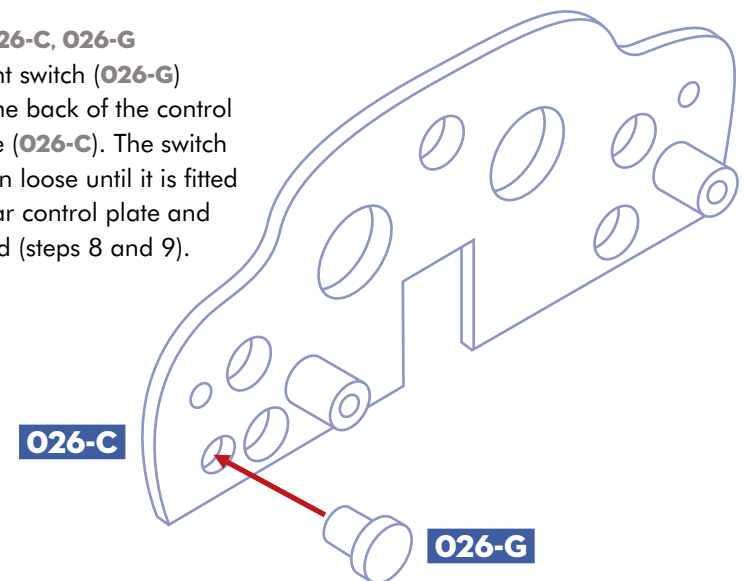
With extra care as they are small pieces, clip in the three dials (**026-D**, **026-E**, **026-F**) to the dashboard plate (**026-C**).



STEP 7

PARTS: 026-C, 026-G

Fit the light switch (**026-G**) through the back of the control front plate (**026-C**). The switch will remain loose until it is fitted to the clear control plate and dashboard (steps 8 and 9).



STEP 8

PARTS: 027-C

Clip the front control plate (with added switches) to the clear control plate (027-C) so that it looks like Figure 2.

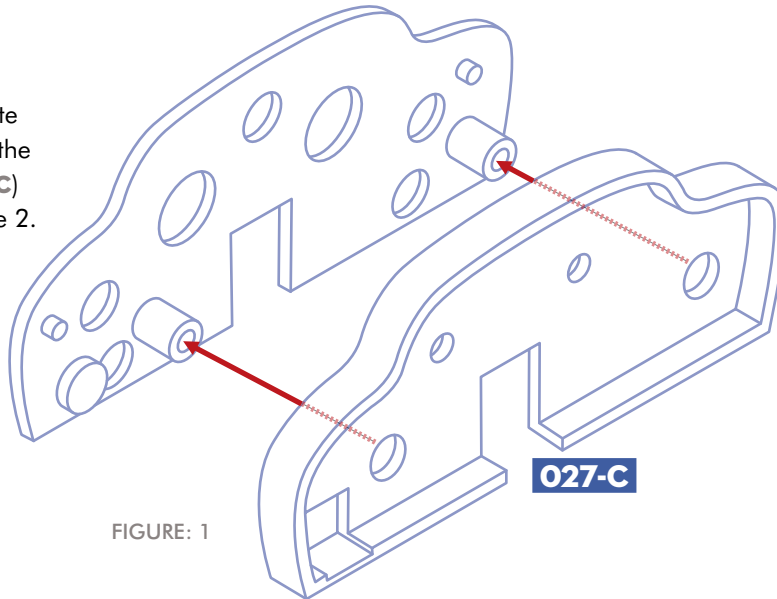


FIGURE: 1

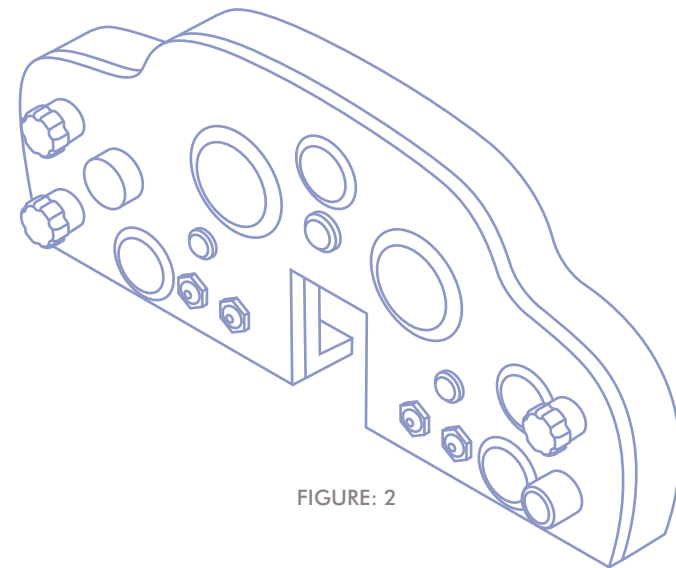


FIGURE: 2

STEP 9

PARTS: DASHBOARD PLATE SECTION, DASHBOARD SECTION

Fit the two pieces together, as shown. Once they're clipped together, use two Type Q screws to fasten them together.

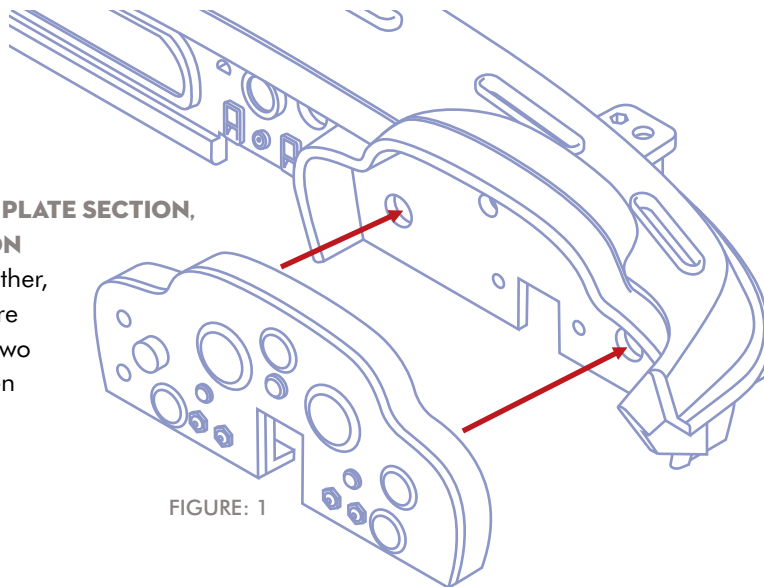


FIGURE: 1

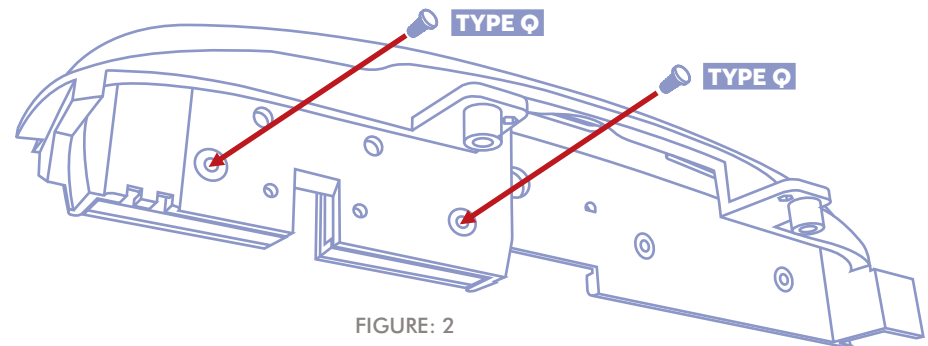


FIGURE: 2

Constructing the **DASHBOARD** of your Aston Martin DB5 model.

ADDING THE STEERING WHEEL SECTION

STEP 10

PARTS: STEERING WHEEL SECTION, O24-A

Take the steering wheel section and use two Type B screws to fasten it to the underside of the dashboard.

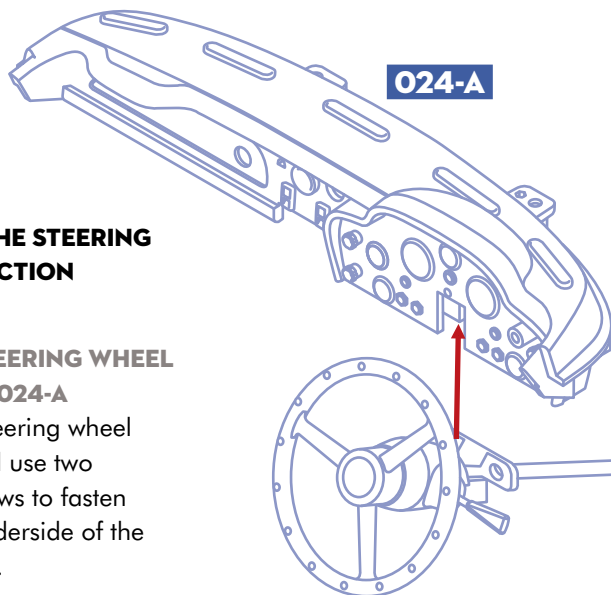


FIGURE: 1

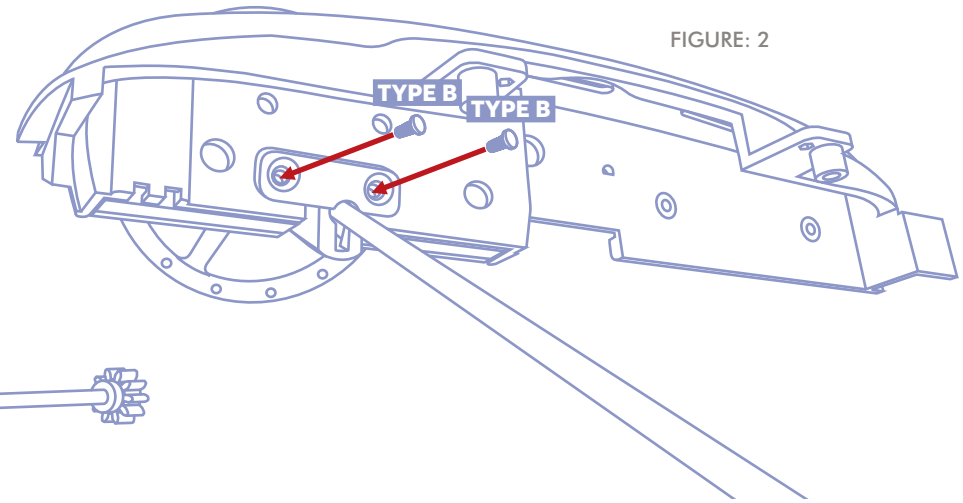


FIGURE: 2

Put this section to one side for a moment.

STEP 11

PARTS: RIGHT AIR-VENT ASSEMBLY, O25-A

With the dashboard mount (O25-A), clip the right air-vent assembly you built earlier on to the back as shown, then screw the pieces together with a Type U screw.

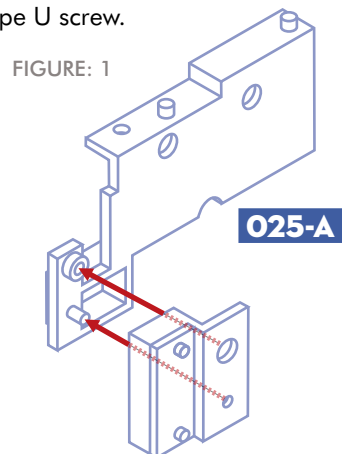


FIGURE: 1

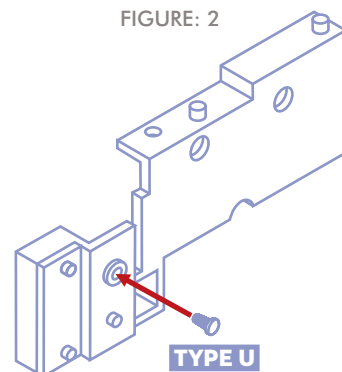


FIGURE: 2

STEP 12

PARTS: RIGHT AIR-VENT ASSEMBLY, O25-A, O27-D

Clip the choke (O27-D) to the dashboard mount (O25-A), next to the left of the air-vent assembly as shown.

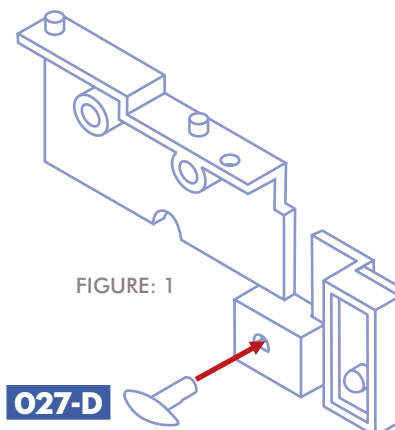


FIGURE: 1

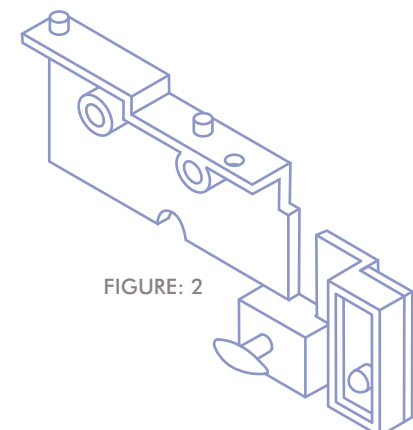


FIGURE: 2

Constructing the **DASHBOARD** of your Aston Martin DB5 model.

STEP 13

PARTS: DASHBOARD ASSEMBLY, RIGHT AIR-VENT ASSEMBLY

The top of the dashboard mount (**025-A**) has pegs that fit into the underside of the dashboard. You should see also that there is a hole for a screw, too. Use a Type L screw to fix the mount and dashboard together.

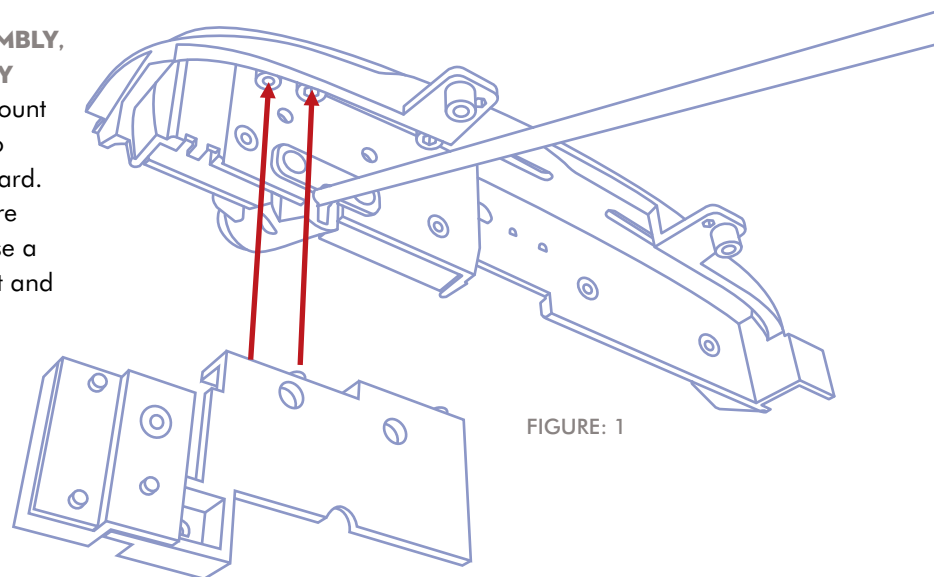


FIGURE: 1

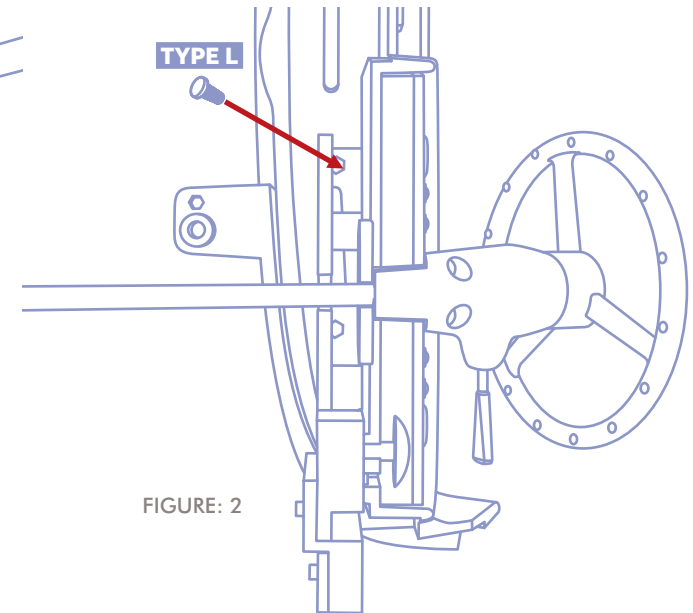


FIGURE: 2

STEP 14

PARTS: DASHBOARD ASSEMBLY, 026-H, 027-B, 027-E

Fit the key switch (**027-E**), and the lighter (**026-H**) into the positions on the dashboard as shown. Note the key switch must be put into the dashboard through the back. Once these are all fitted, carefully put the ignition key (**027-B**) into the key switch.

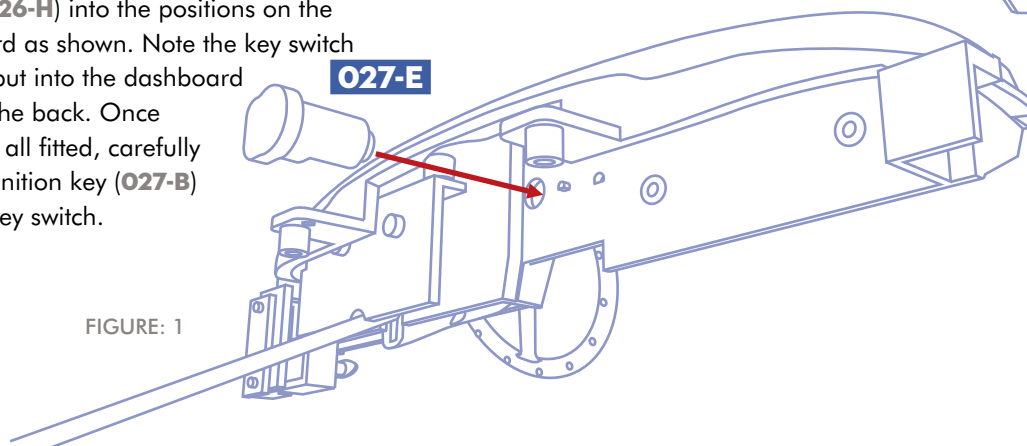


FIGURE: 1

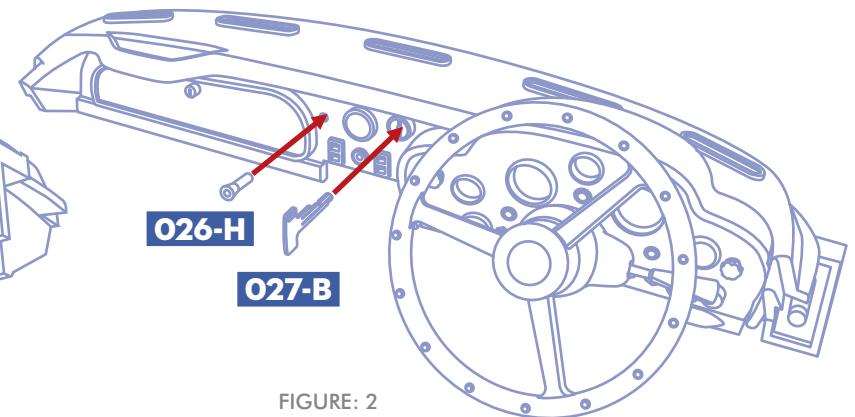


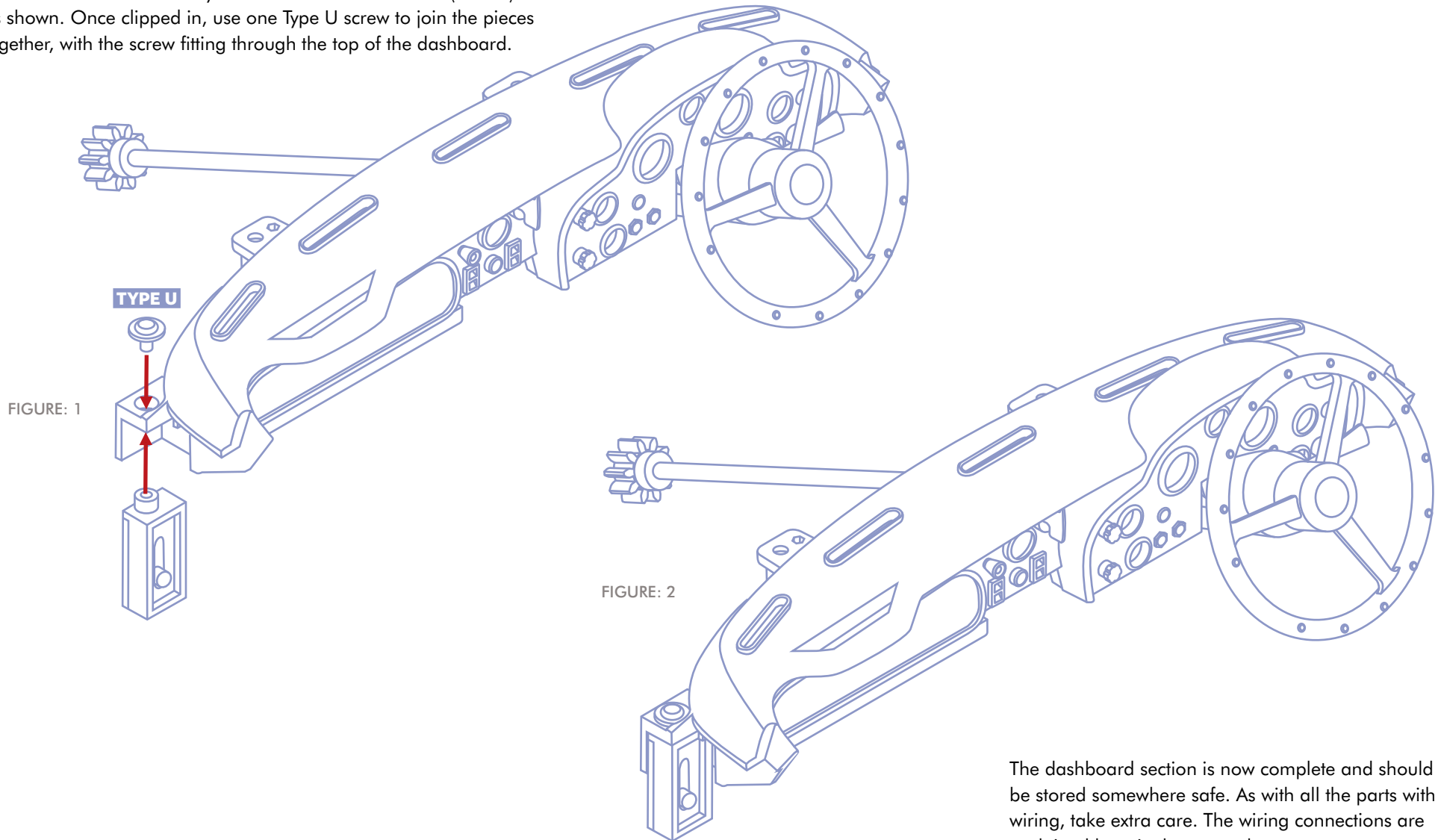
FIGURE: 2

Constructing the **DASHBOARD** of your Aston Martin DB5 model.

STEP 15

PARTS: DASHBOARD ASSEMBLY, LEFT AIR-VENT ASSEMBLY

Fix the left air-vent assembly to the left of the dashboard (**024-A**) as shown. Once clipped in, use one Type U screw to join the pieces together, with the screw fitting through the top of the dashboard.



The dashboard section is now complete and should be stored somewhere safe. As with all the parts with wiring, take extra care. The wiring connections are explained later in the manual.