

THE ENGINE & INTERIOR

SPEAKER SECTION

Constructing the **SPEAKER SECTION** of your Aston Martin DB5 model.

THE PARTS YOU WILL NEED:

- 028-A**: Speaker grille
- 028-B**: Speaker cover
- 028-C**: Speaker and connection
- SCREWS**: Type O (x4)

NOTE: Parts not shown to scale.

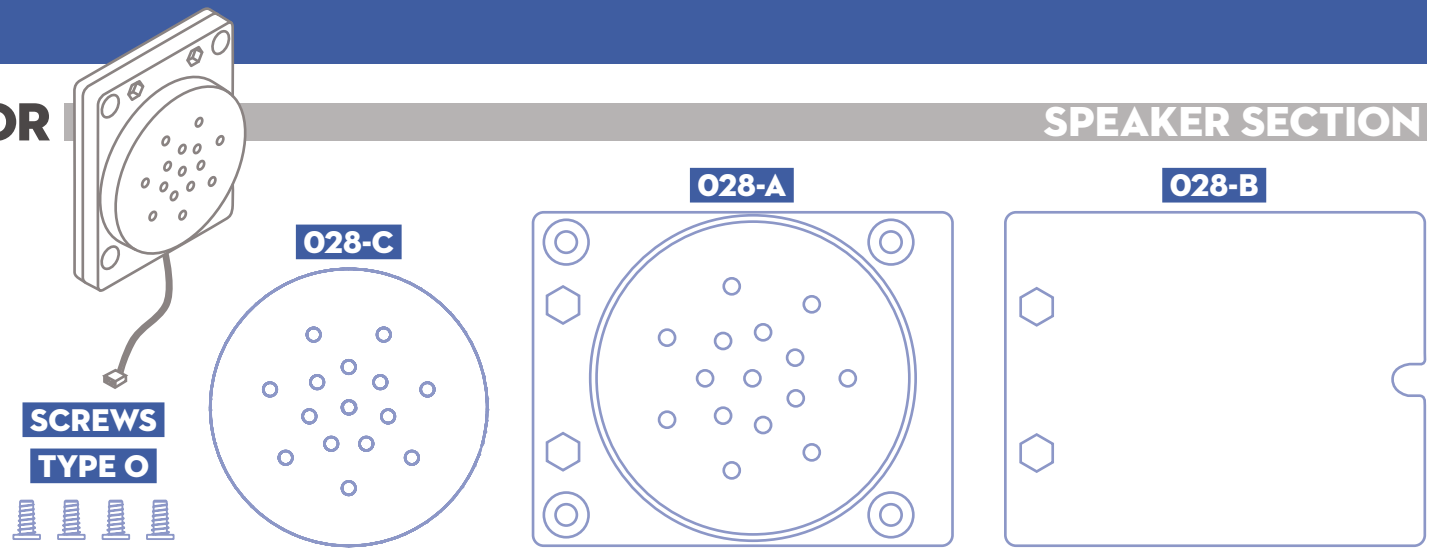
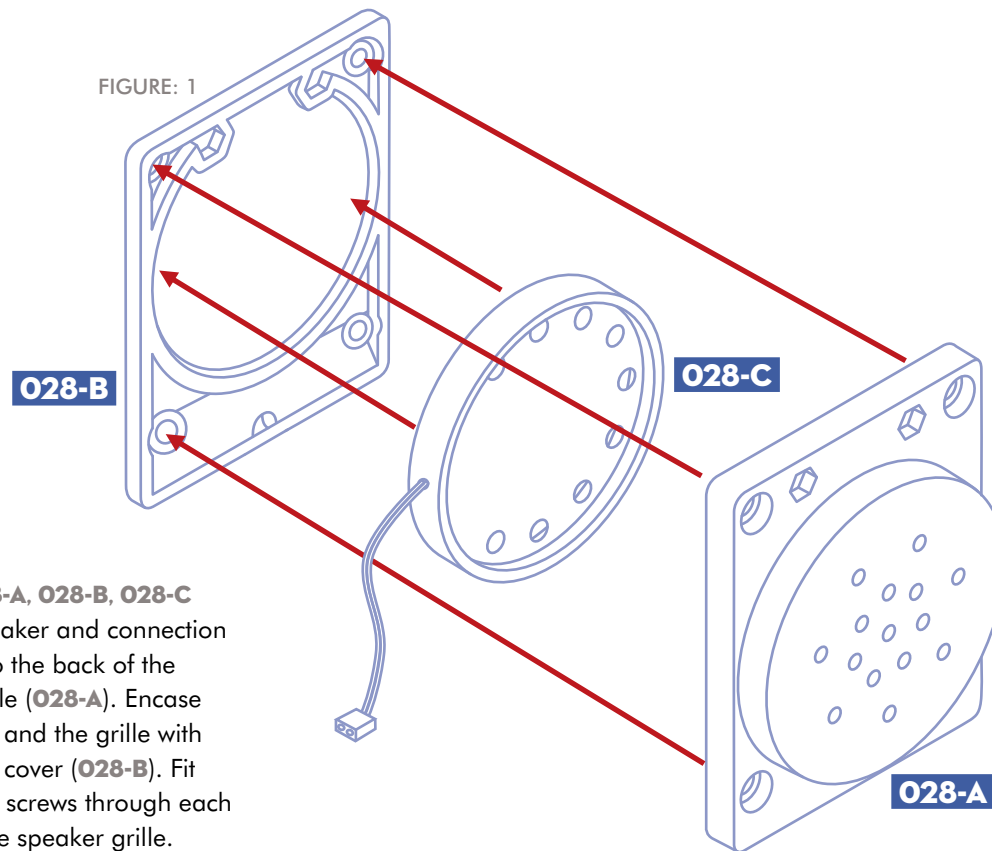


FIGURE: 1

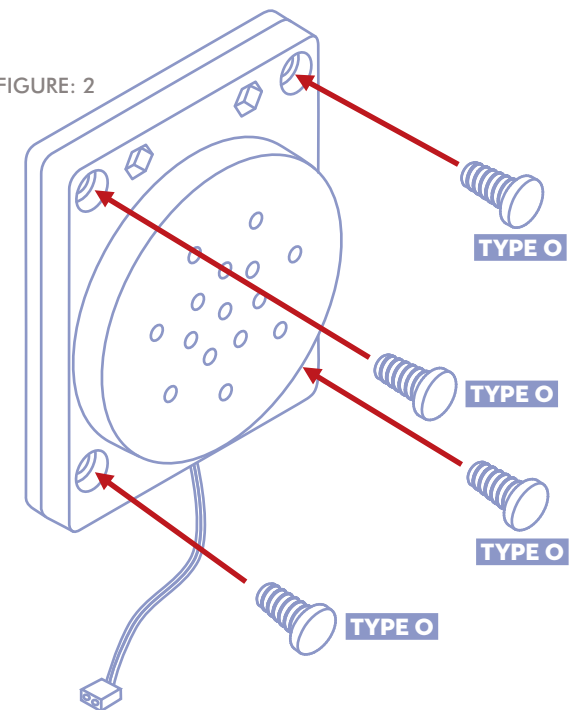


STEP 1

PARTS: 028-A, 028-B, 028-C

Clip the speaker and connection (028-C) into the back of the speaker grille (028-A). Encase the speaker and the grille with the speaker cover (028-B). Fit four Type O screws through each corner of the speaker grille.

FIGURE: 2



Put this section to one side for the moment.