

THE ENGINE & INTERIOR

MONITOR HOUSING

Constructing the **MONITOR HOUSING** of your Aston Martin DB5 model.

THE PARTS YOU WILL NEED:

029-A: Monitor housing and heating controls

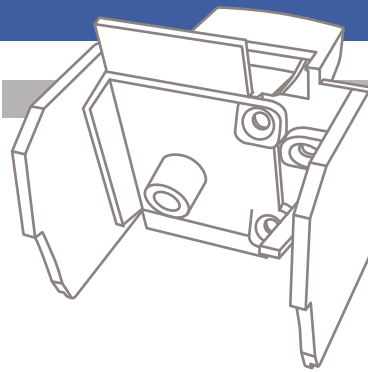
029-B: Monitor screen cover

029-C: Radio

029-D: Monitor screen

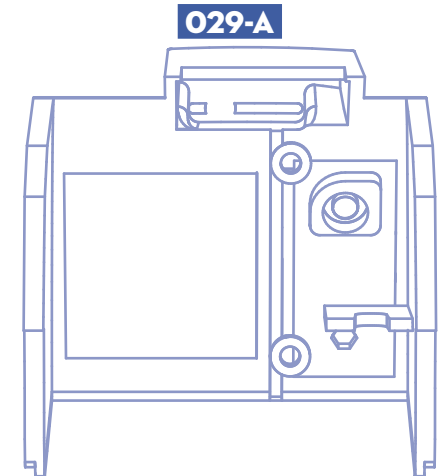
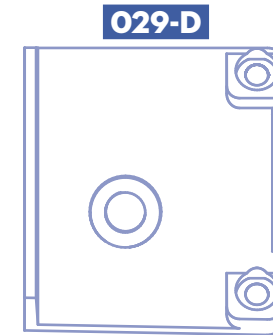
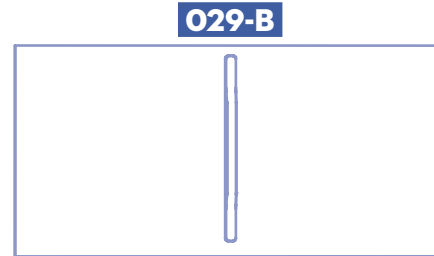
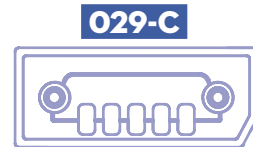
SCREWS: Type O (x3)

NOTE: Parts not shown to scale.



SCREWS

TYPE O



STEP 1

PARTS: 029-A, 029-C
Clip the radio (029-C) to the front of the monitor housing and heating controls (029-A). From the back of the monitor housing, use a single Type O screw to fasten the two pieces together.

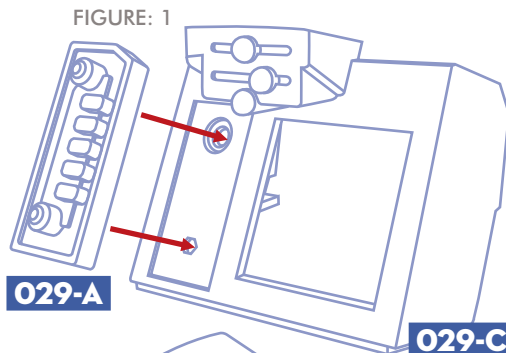
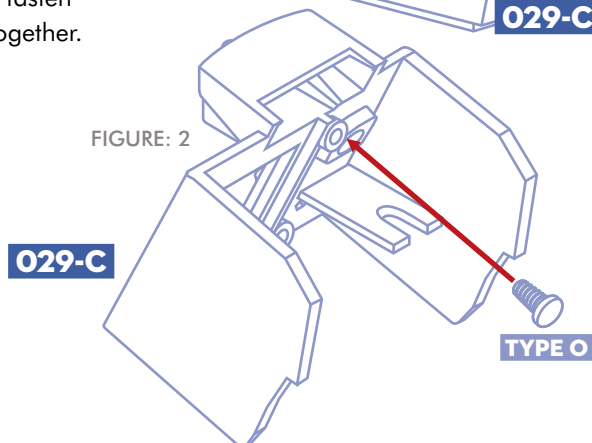


FIGURE: 2



STEP 2

PARTS: AS STEP 1, 029-B, 029-D
Place the monitor screen cover (029-B) flat on the rear of the monitor housing as shown. With two Type O screws, fasten the monitor screen (029-D) to the housing, keeping the screen cover in place.

FIGURE: 1

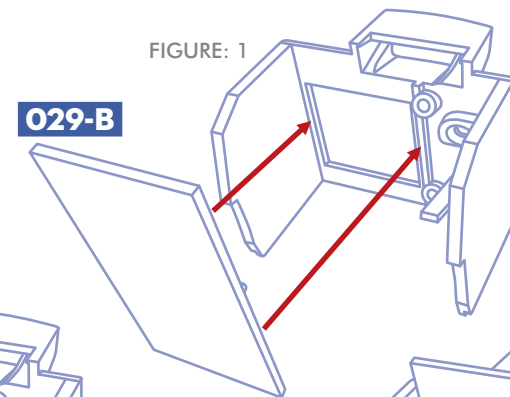


FIGURE: 2

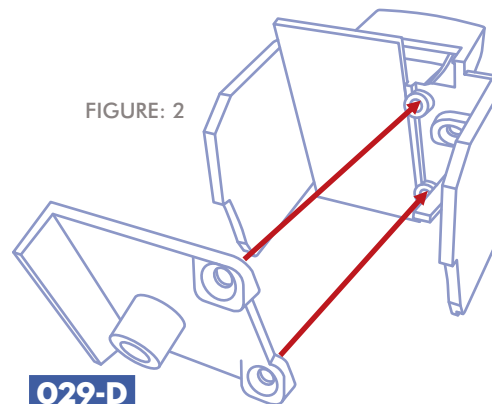
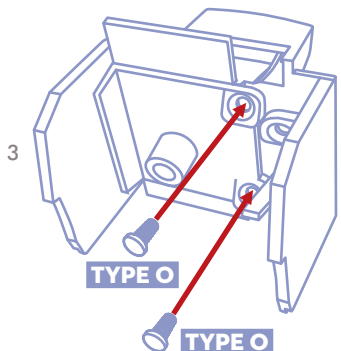


FIGURE: 3



Put this section aside for the moment, ensuring the pieces are kept safe.