

# THE ROOF AND REAR

Constructing the **WINDSCREENS** and **QUARTERLIGHT WINDOWS** of your DB5 model.

## THE PARTS YOU WILL NEED:

- 048-A** Windshield frame
- 048-B** Windshield
- 048-C** Windshield rubber frame
- 049-A** Rear windscreen
- 049-B** Rear window frame
- 049-C** Rear window rubber frame
- 053-A** Left quarterlight window frame
- 053-B** Left quarterlight window knob
- 053-C** Left quarterlight window catch
- 053-D** Left quarterlight window
- 053-E** Right quarterlight window knob
- 053-F** Right quarterlight window catch
- 053-G** Right quarterlight window
- 054-A** Right quarterlight window frame

NOTE: Parts not shown to scale.

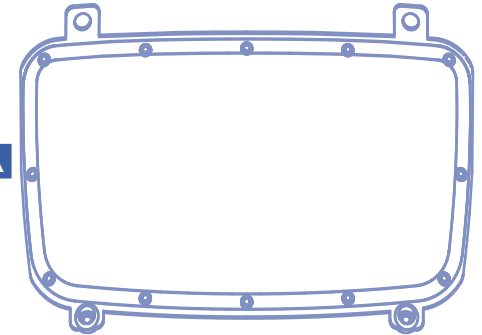
# WINDSCREENS & WINDOWS



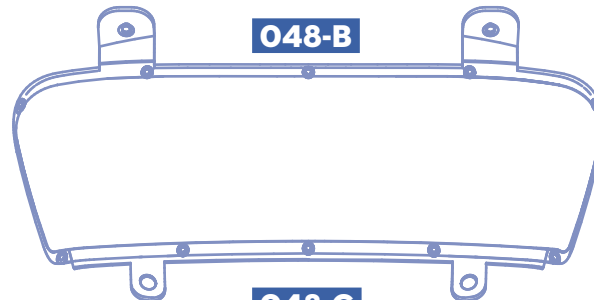
**048-A**



**049-A**



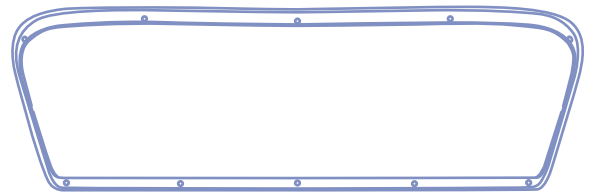
**048-B**



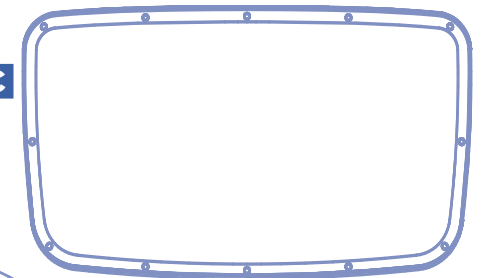
**049-B**



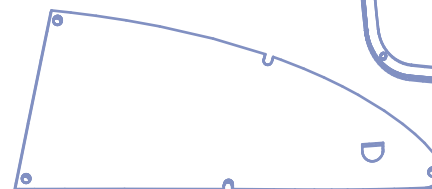
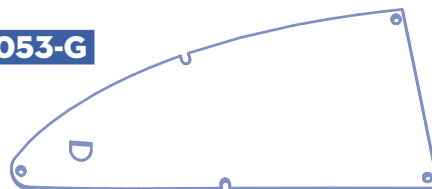
**048-C**



**049-C**



**053-G**

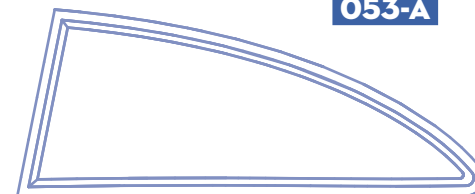


**053-D**

**054-A**



**053-A**



 **053-E**

 **053-B**

 **053-C**

 **053-F**

# THE ROOF AND REAR

# WINDSCREENS

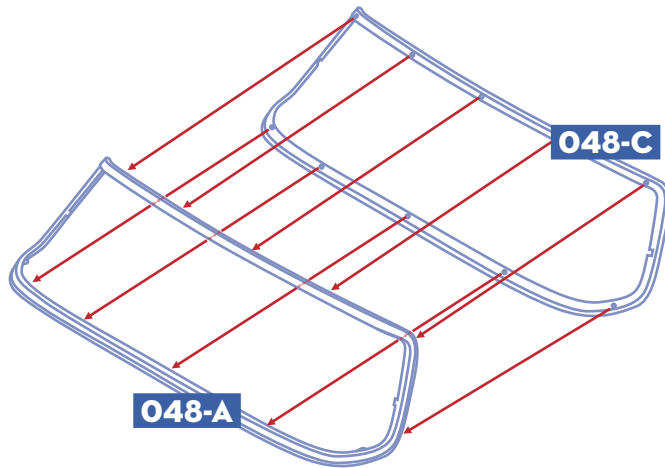
## Constructing the FRONT AND REAR WINDSCREENS of your Aston Martin DB5

### STEP 1

**PARTS: 048-A, 048-B, 048-C**

First, fit the windshield rubber frame (048-C) to the windshield frame (048-A). You will see that the rubber frame is designed to hook over a series of small pegs and that it is grooved so it curls around the windshield frame.

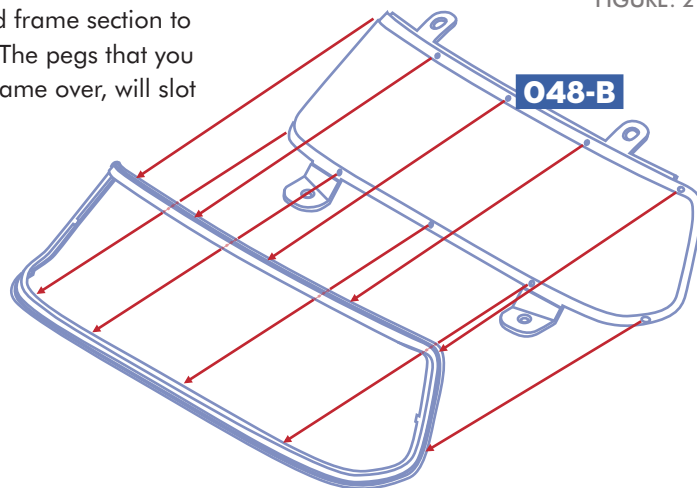
FIGURE: 1



### STEP 2

Now fit the combined frame section to the windshield itself. The pegs that you hooked the rubber frame over, will slot into the windshield.

FIGURE: 2

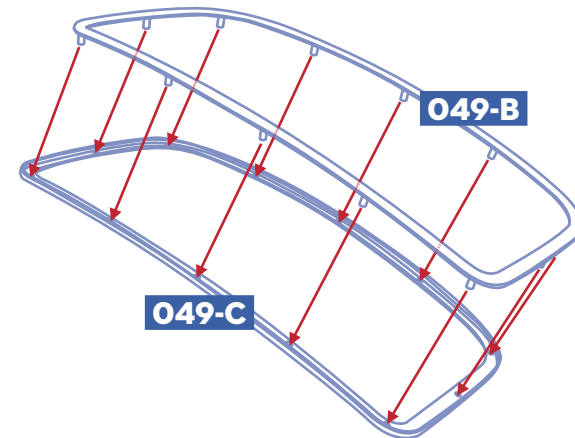


### STEP 1

**PARTS: 049-A, 049-B, 049-C**

Fit the rear window rubber frame (049-C) to the rear windscreen frame (049-B). Again, you will see that the rubber frame is designed to hook over a series of small pegs and that it is grooved so it curls around the windscreen frame.

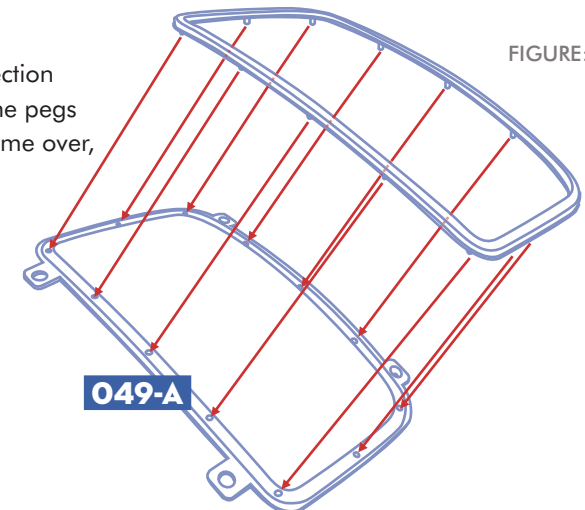
FIGURE: 1



### STEP 2

Now fit the combined frame section to the rear windscreen itself. The pegs that you hooked the rubber frame over, will slot into the windscreen.

FIGURE: 2



Put both windcreens to one side for a moment.

# THE ROOF AND REAR

# QUARTERLIGHT WINDOWS

Constructing the **QUARTERLIGHT WINDOWS** of your Aston Martin DB5 model.

## STEP 1

**PARTS: 053-B, 053-C, 053-D**

Clip the left quarterlight window knob (**053-B**) into the left quarterlight window (**053-D**). Attach it to the left quarterlight window catch (**053-C**).

FIGURE: 1

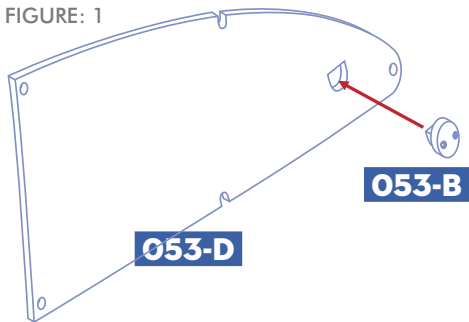
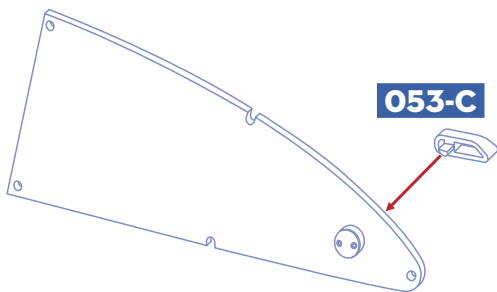


FIGURE: 2



## STEP 2

**PART: 053-A**

The left quarterlight window frame (**053-A**) has pegs that fit into the left quarterlight window. Join the pieces together. The left quarterlight window is complete.

FIGURE: 1

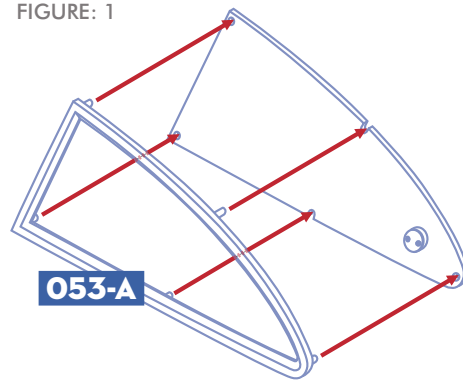
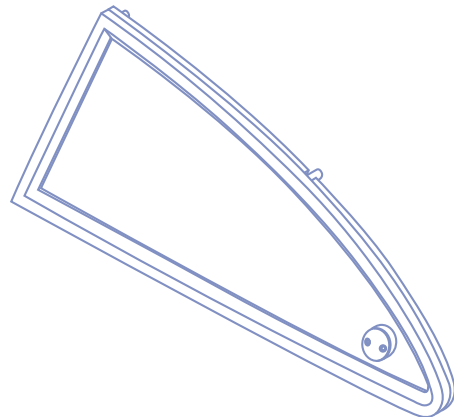


FIGURE: 2



## STEP 3

**PARTS: 053-E, 053-F, 053-G**

Clip the right quarterlight window knob (**053-E**) into the right quarterlight window (**053-G**). Attach it to the right quarterlight window catch (**053-F**).

FIGURE: 1

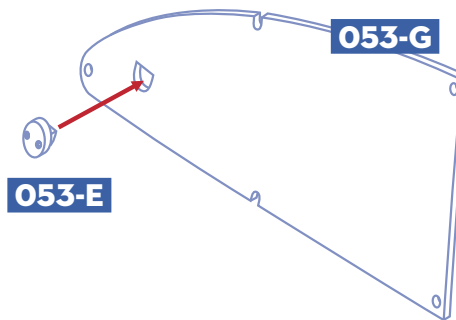
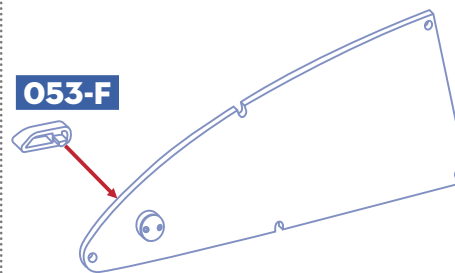


FIGURE: 2



## STEP 4

**PARTS: 054-A**

The right quarterlight window frame (**054-A**) has pegs that fit into the right quarterlight window. Join the pieces together. The right quarterlight window is complete.

FIGURE: 1

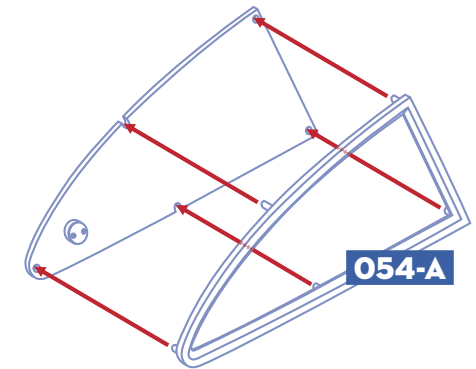
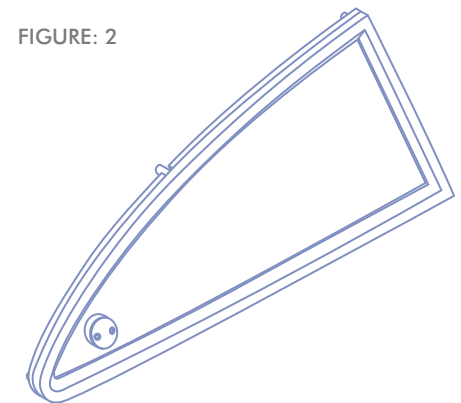


FIGURE: 2



Put the quarterlight windows to one side for a moment.