

# THE ROOF AND REAR

# ROOF

## Constructing the ROOF

### THE PARTS YOU WILL NEED:

#### READER-ASSEMBLED PARTS

- Quarterlight windows
- Rear windscreen
- Windshield

#### NUMBERED PARTS:

**046-A** Inside roof, rear mirror and lights assembly

**046-B** Right sun visor

**047-A** Left sun visor

**047-B** Ejector seat roof frame

**050-A** Right fuel tank

**050-B** Right petrol cap

**050-C** Left petrol cap hinge

**051-A** Left fuel tank

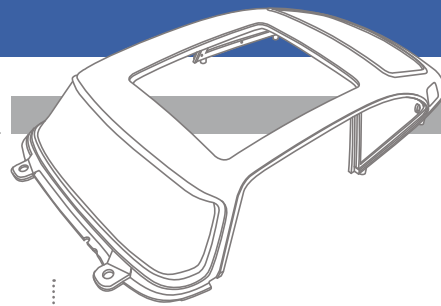
**051-B** Left petrol cap

**051-C** Right petrol cap hinge

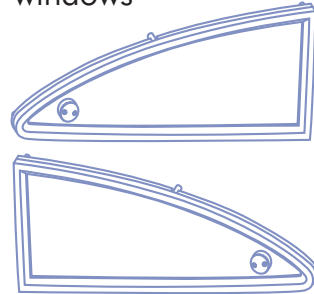
**052-A** Main roof frame

**SCREWS** Type C (x2), Type D (x16)

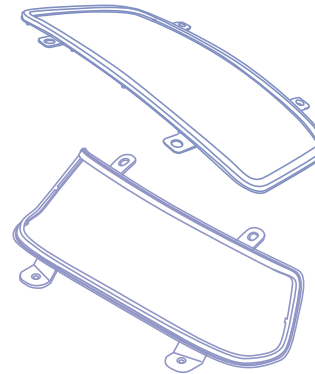
NOTE: Parts not shown to scale.



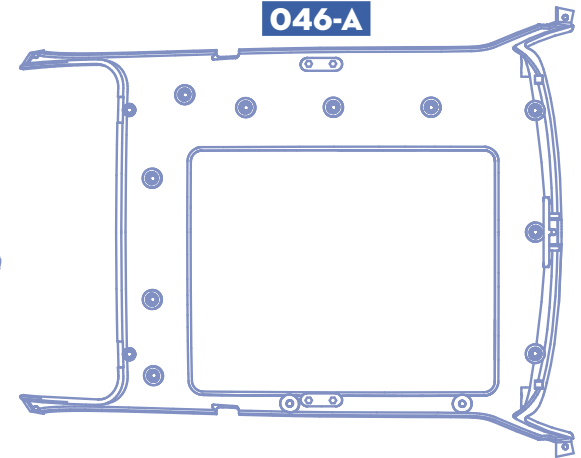
- Quarterlight windows



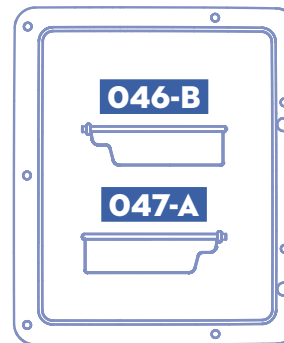
- Rear Windscreen
- Windshield



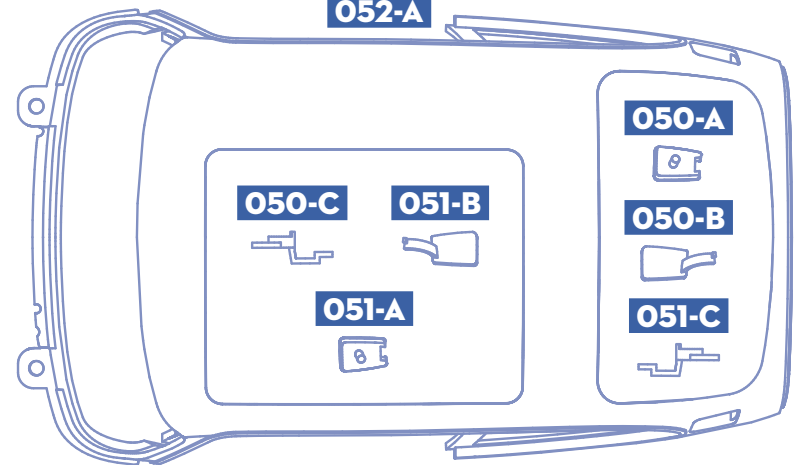
**046-A**



**047-B**



**052-A**



### SCREWS

**TYPE C**

**TYPE D**



# THE ROOF AND REAR

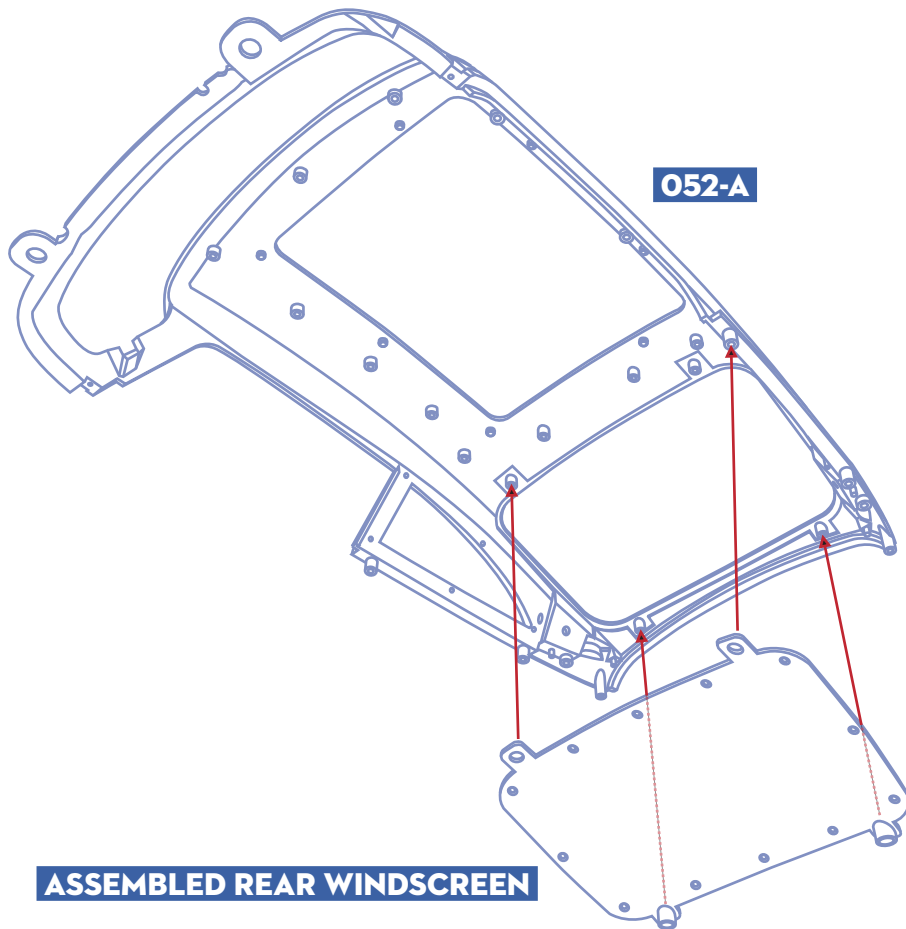
# ROOF

Constructing the **ROOF** of your Aston Martin DB5 model.

## STEP 1

**PARTS: THE REAR WINDSCREEN, 052-A**

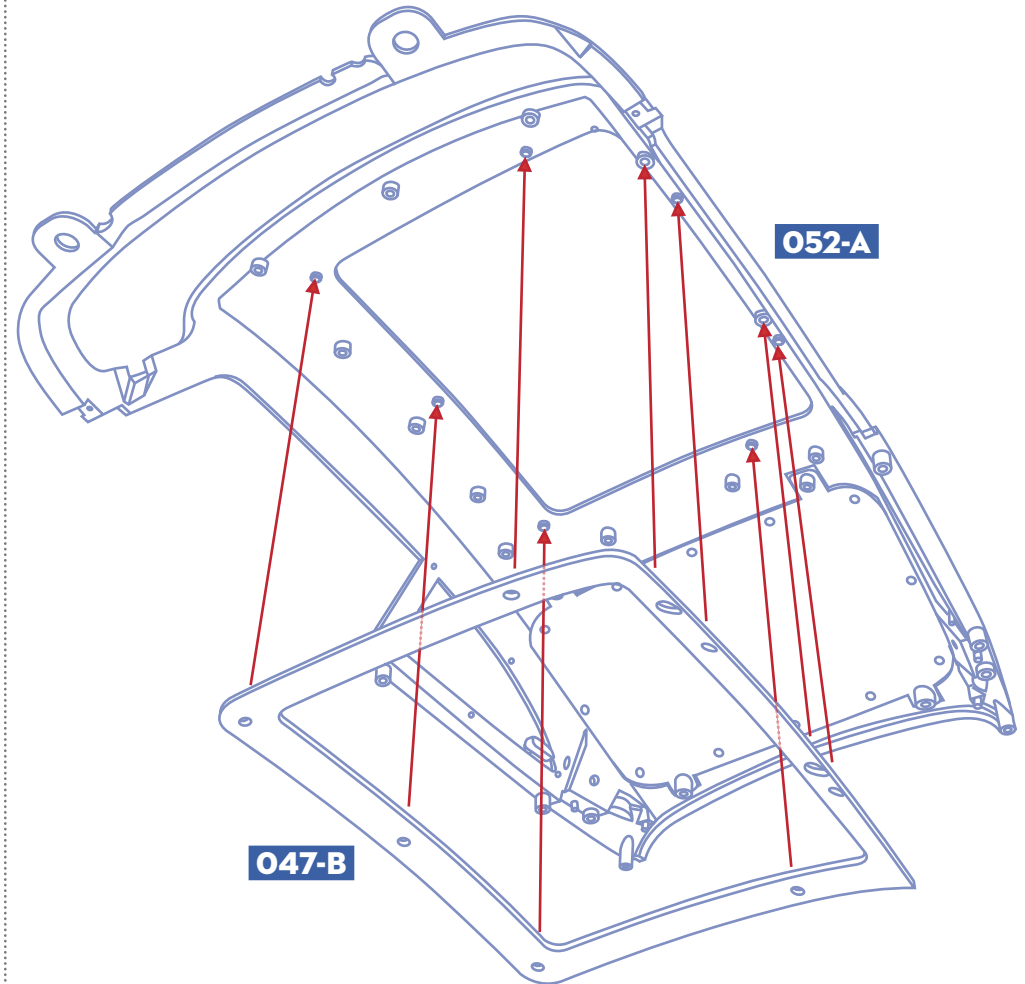
Clip the assembled rear windscreen to the underside of the main roof frame (052-A). Do not screw it in place yet.



## STEP 2

**PARTS: 047-B, 052-A**

Fit the ejector seat roof frame (047-B) to the inside of the main roof frame (052-A). It simply clips into place.



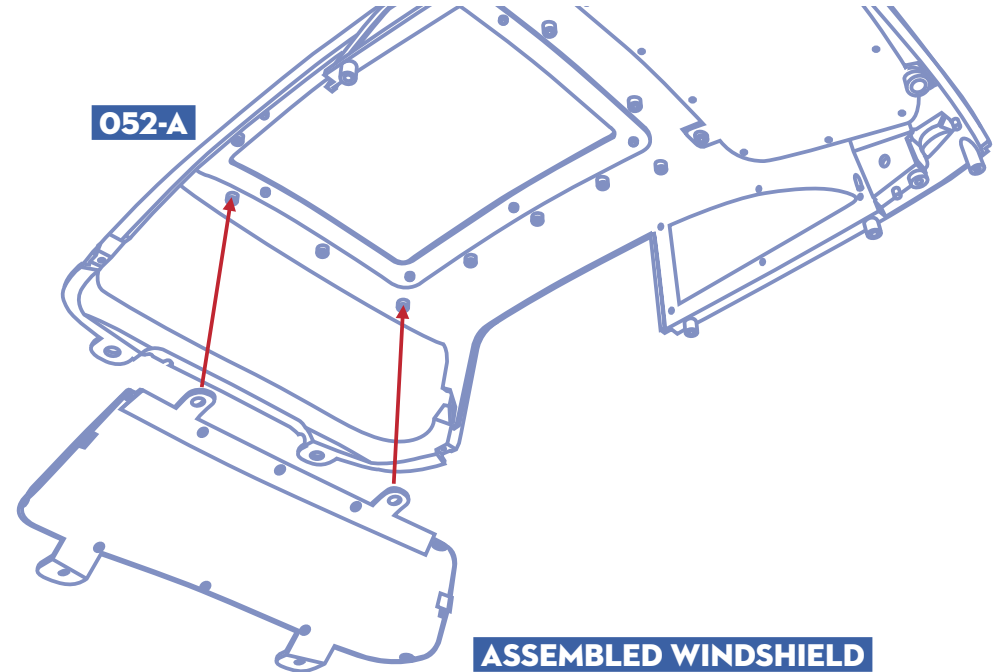
# THE ROOF AND REAR

Constructing the **ROOF** of your Aston Martin DB5 model.

### STEP 4

**PARTS: THE ASSEMBLED WINDSHIELD, 052-A**

Fit the assembled windshield to the main roof frame (**052-A**). Make sure the tabs on the top of the windshield go on the inside of the frame, and the tabs on the base of the windshield go on the outside of the frame.



### STEP 5

**PARTS: 046-A, 052-A**

Holding the windscreens in place, fit the inside roof, rear mirror and lights assembly (**046-A**) to the main roof frame (**052-A**). Screw in the assembly with 16 Type D screws. Don't worry that the windscreens are a little loose at the moment.

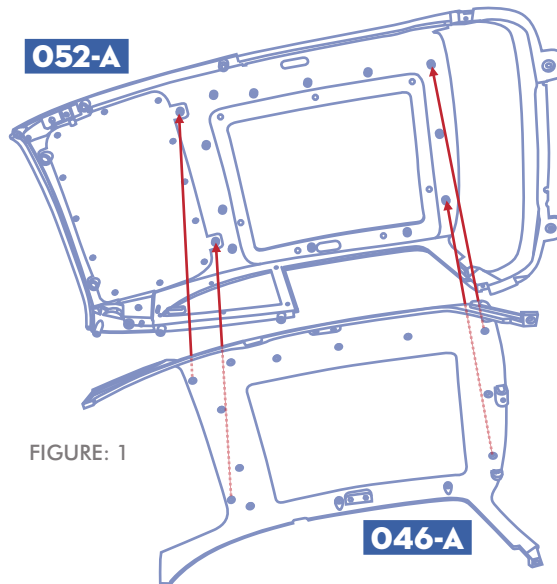
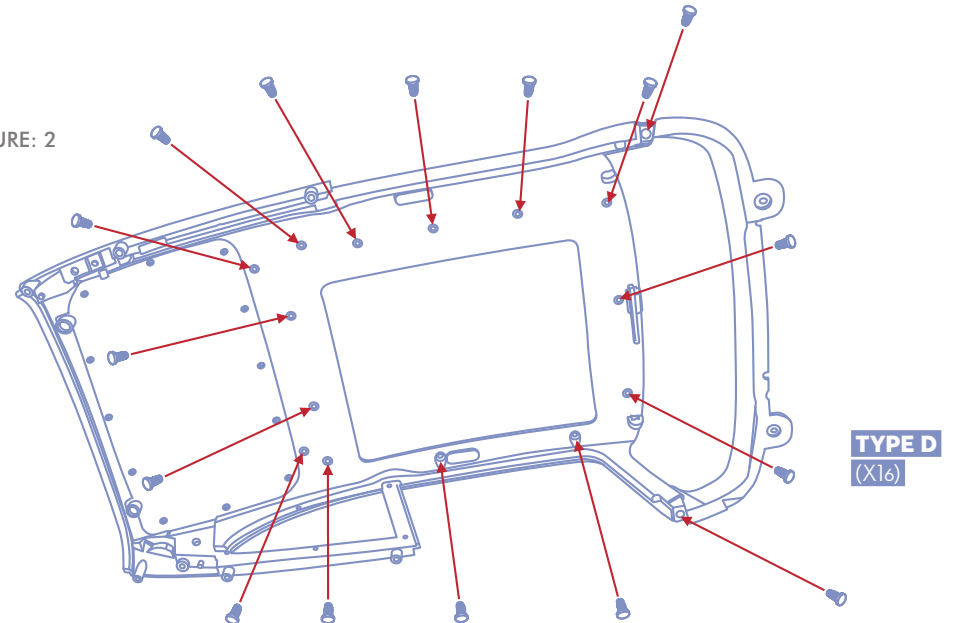


FIGURE: 2



# THE ROOF AND REAR

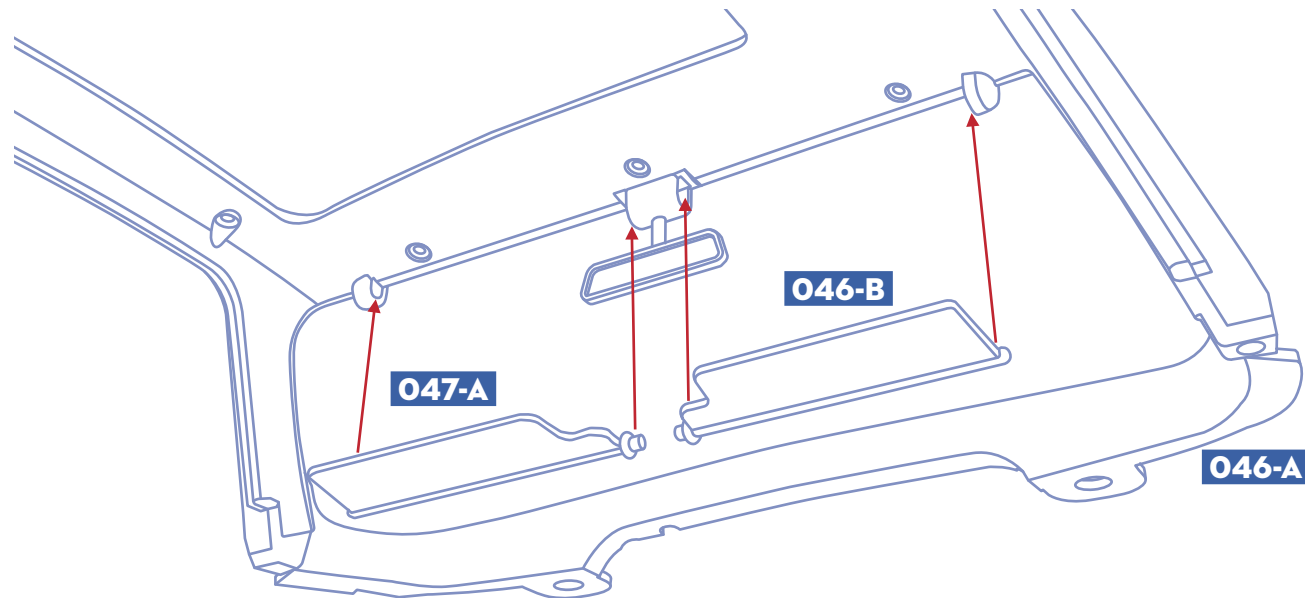
## ROOF

Constructing the **ROOF** of your Aston Martin DB5 model.

### STEP 6

**PARTS: 046-A, 046-B, 047-A**

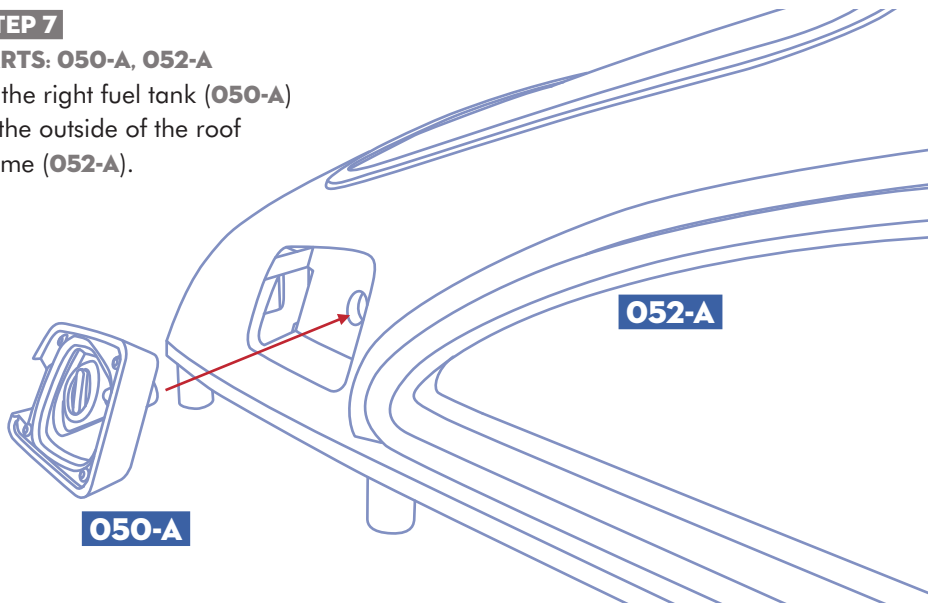
Clip the sun visors (**046-B, 047-A**) to the inside roof assembly (**046-A**) as shown. Some careful force may be needed when fitting the visors.



### STEP 7

**PARTS: 050-A, 052-A**

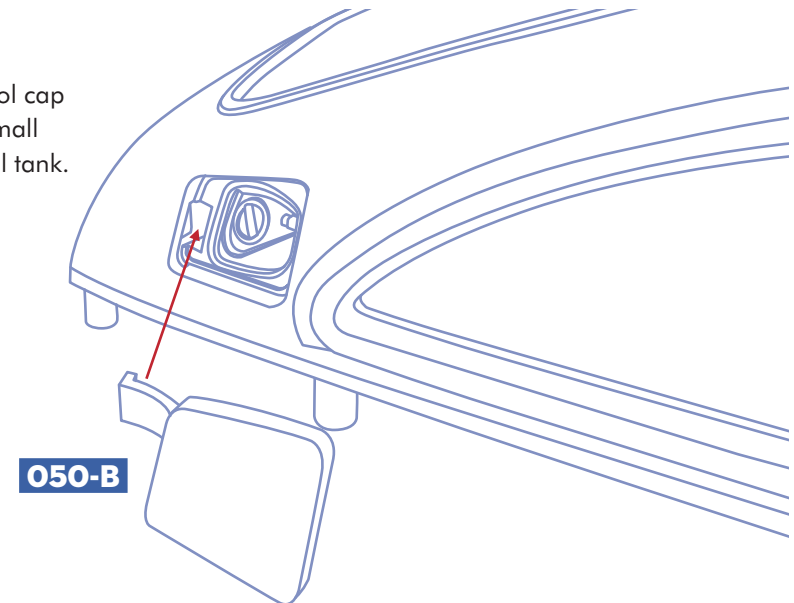
Fit the right fuel tank (**050-A**) to the outside of the roof frame (**052-A**).



### STEP 8

**PARTS: 050-B**

Slide the right petrol cap (**050-B**) into the small gap next to the fuel tank.

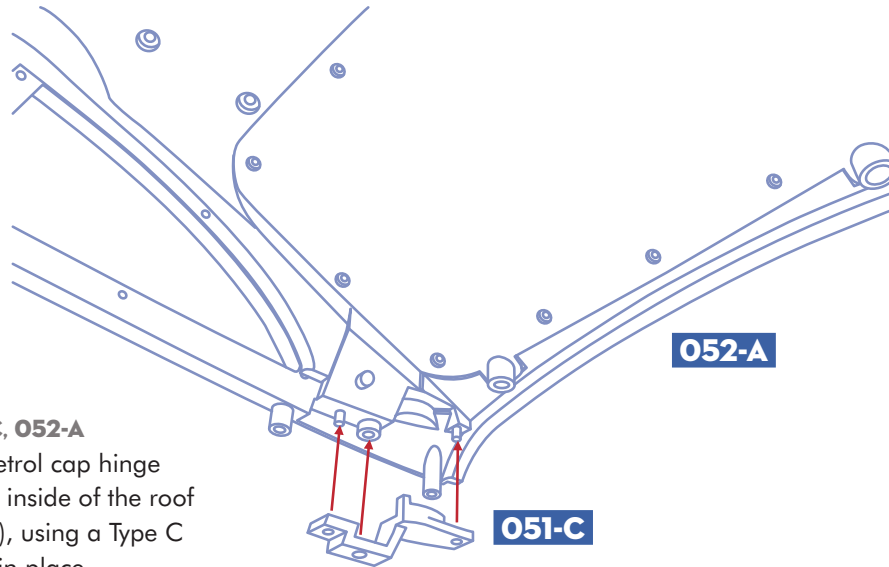


# THE ROOF AND REAR

# ROOF

Constructing the **ROOF** of your Aston Martin DB5 model.

FIGURE: 1

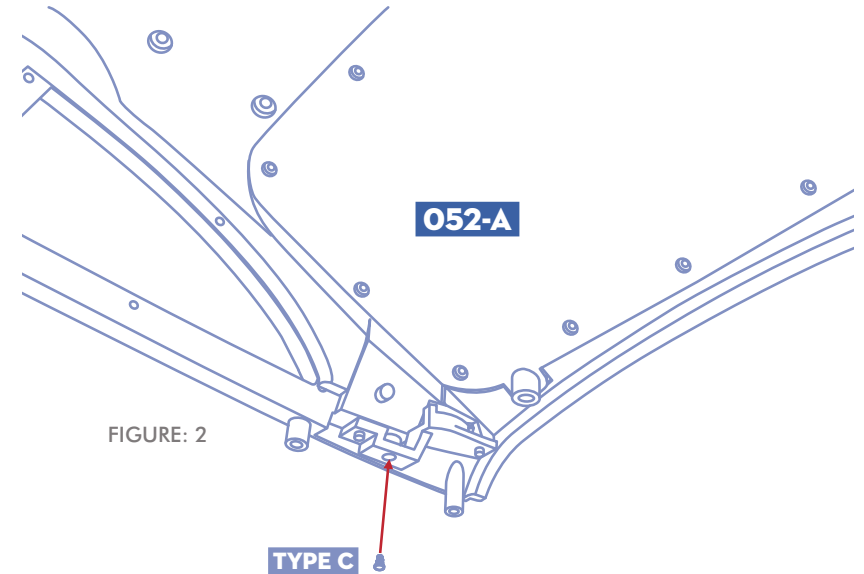


### STEP 9

**PARTS: 051-C, 052-A**

Fit the right petrol cap hinge (**051-C**) to the inside of the roof frame (**052-A**), using a Type C screw to fix it in place.

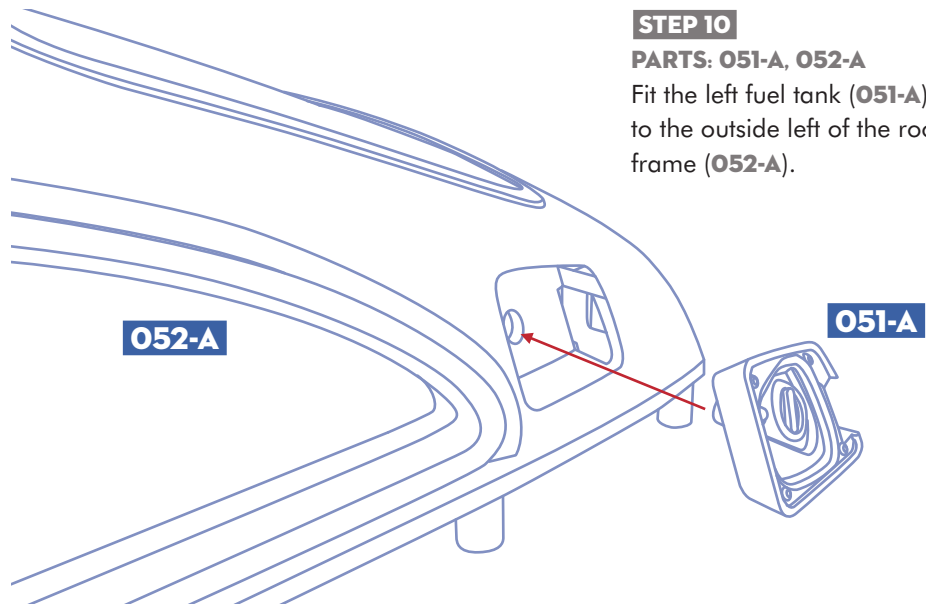
FIGURE: 2



### STEP 10

**PARTS: 051-A, 052-A**

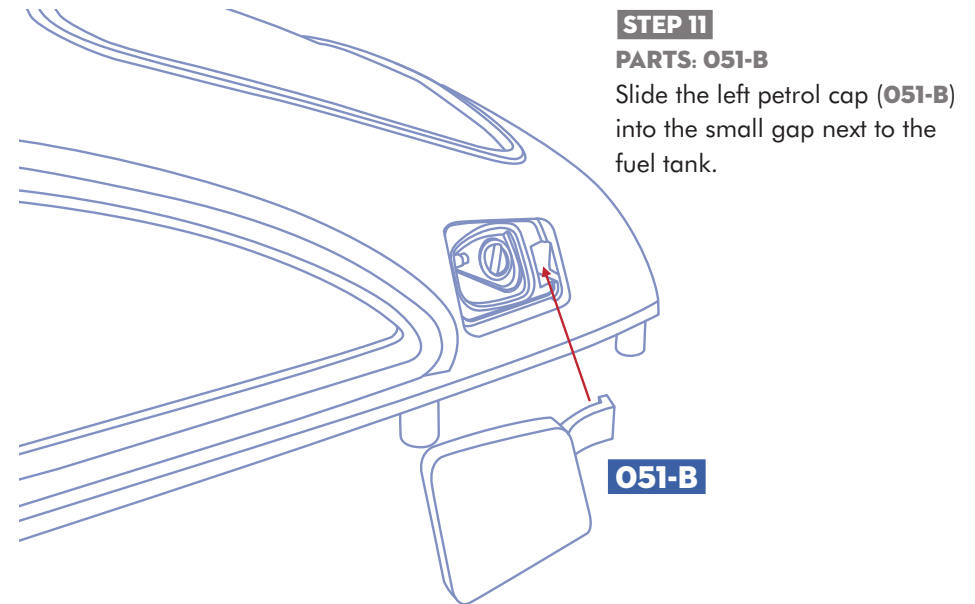
Fit the left fuel tank (**051-A**) to the outside left of the roof frame (**052-A**).



### STEP 11

**PARTS: 051-B**

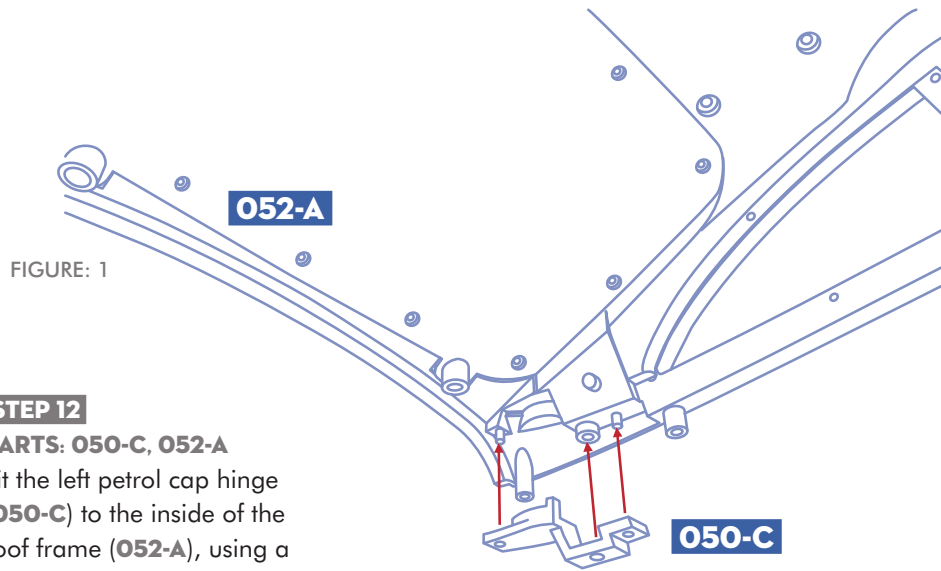
Slide the left petrol cap (**051-B**) into the small gap next to the fuel tank.



# THE ROOF AND REAR

# ROOF

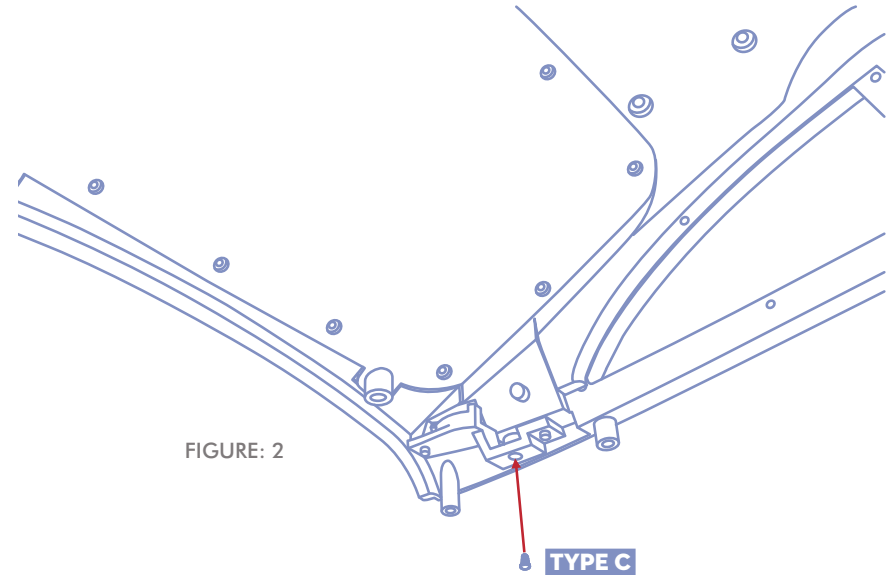
Constructing the **ROOF** of your Aston Martin DB5 model.



## STEP 12

**PARTS: 050-C, 052-A**

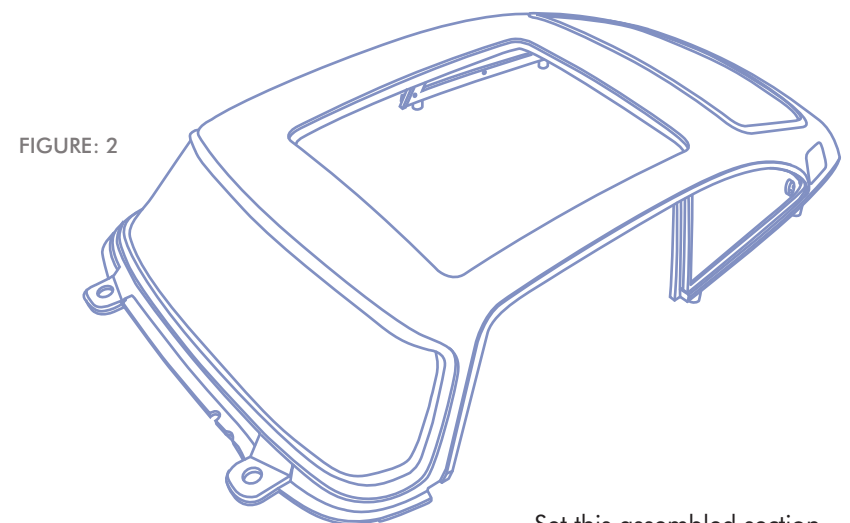
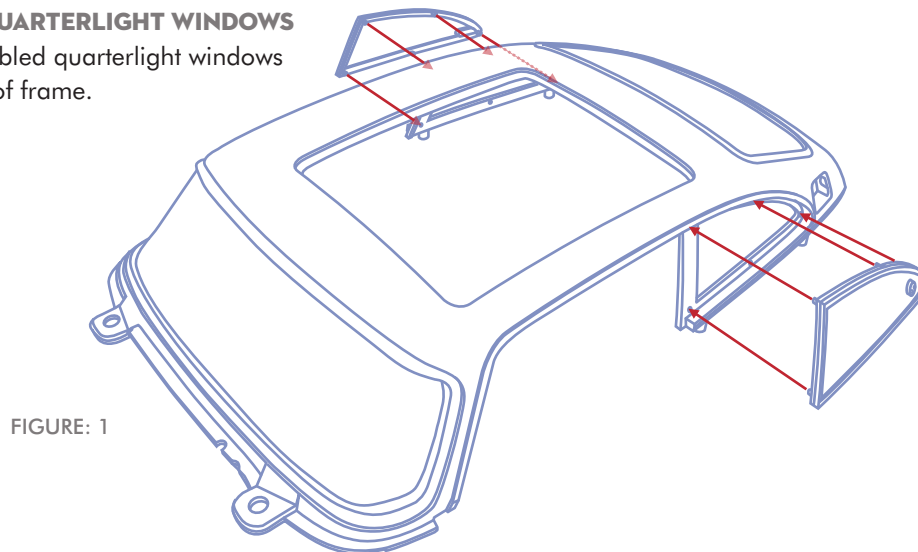
Fit the left petrol cap hinge (**050-C**) to the inside of the roof frame (**052-A**), using a Type C screw to fix it in place.



## STEP 13

**PARTS: THE QUARTERLIGHT WINDOWS**

Clip the assembled quarterlight windows to the main roof frame.



Set this assembled section aside for a moment.