

THE ROOF AND REAR

Constructing the **REAR SHELF** of your Aston Martin DB5 model.

THE PARTS YOU WILL NEED:

055-A Rear shelf panel back

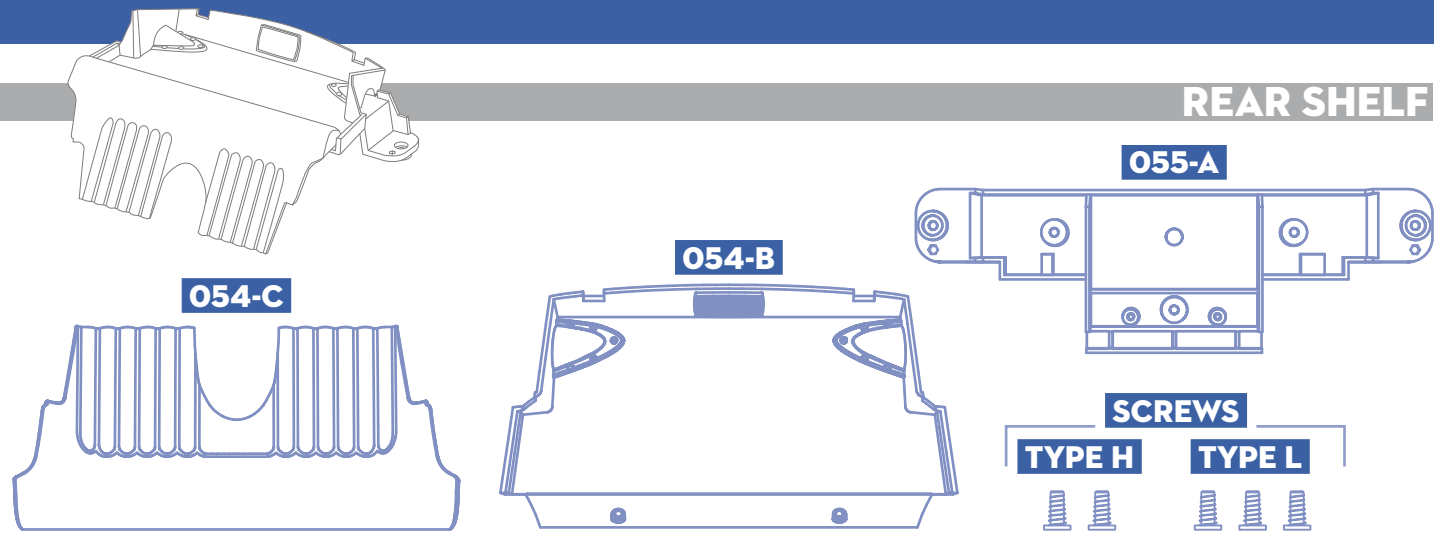
054-B Rear shelf panel

054-C Rear seat back

SCREWS Type H (x2), L (x3)

NOTE: Parts not shown to scale.

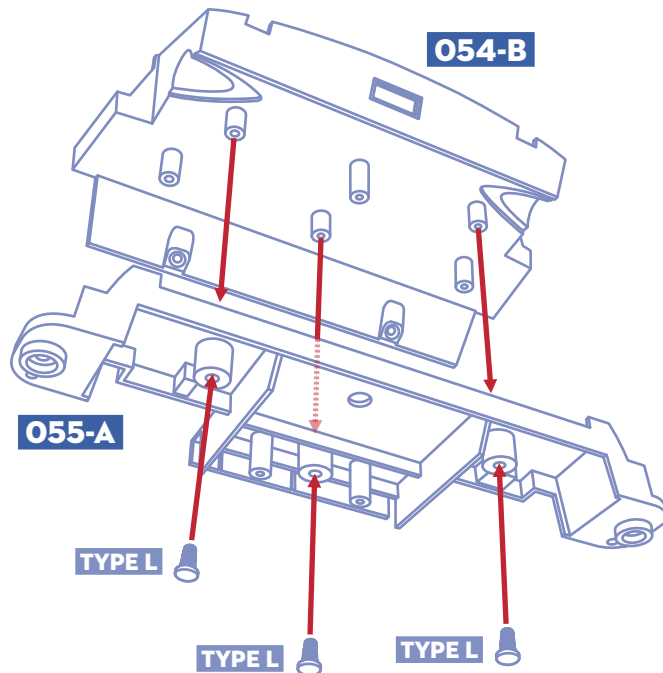
REAR SHELF



STEP 1

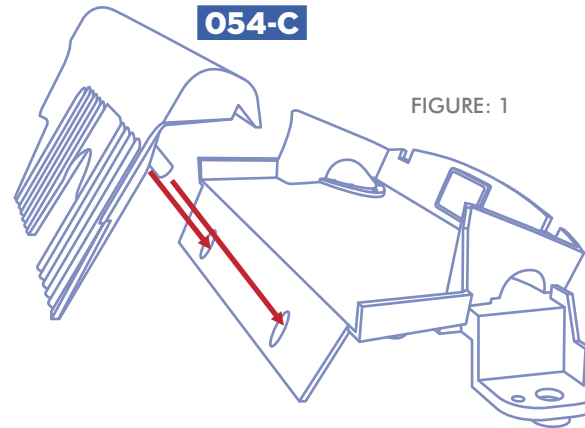
PARTS: 054-B, 055-A

Fit the rear shelf panel (**054-B**) to the rear shelf panel back (**055-A**), using three Type L screws to fix the parts together.



054-C

FIGURE: 1

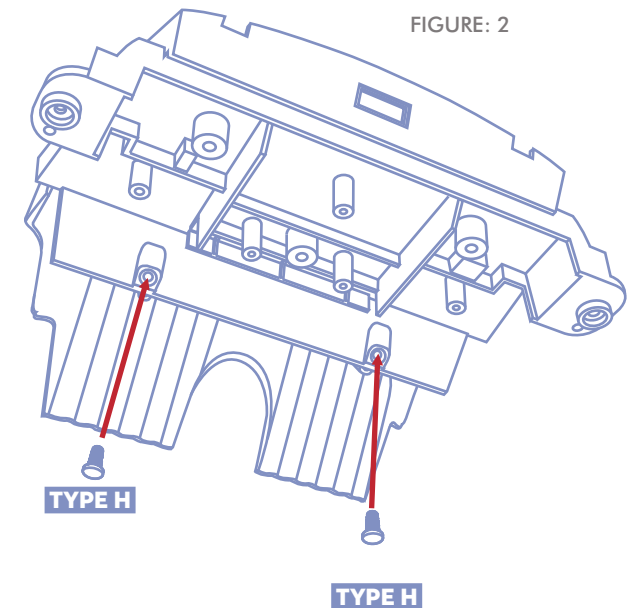


STEP 2

PARTS: 054-B, 054-C

On the underside of the rear seat back (**054-C**) are two pegs that fit to the front of the rear shelf panel (**054-B**). Clip them on and use two Type H screws to attach them.

FIGURE: 2



Put this section to one side for the moment.