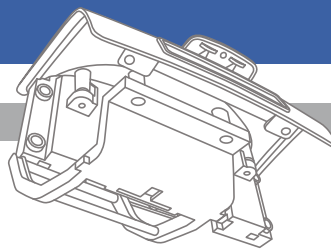


# THE ROOF AND REAR

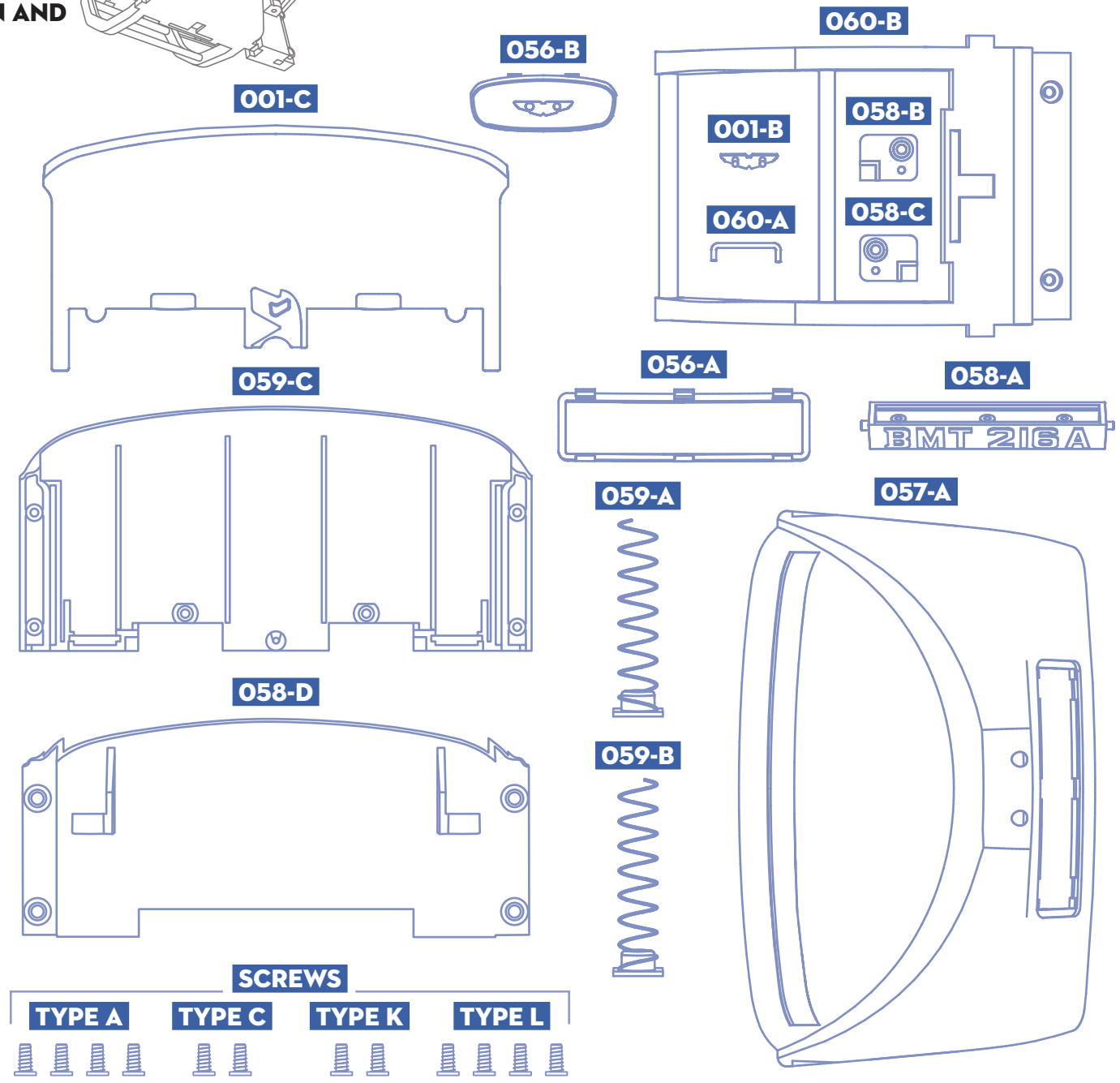
Constructing the **BULLETPROOF SCREEN AND BOOT** of your Aston Martin DB5 model.



# BULLETPROOF SCREEN AND BOOT

## THE PARTS YOU WILL NEED:

- 001-B** Aston Martin logo
- 001-C** Bulletproof screen
- 056-A** Licence plate retainer
- 056-B** Boot lid handle
- 057-A** Boot lid
- 058-A** Rear licence plate and base
- 058-B** Right tail light plate retainer
- 058-C** Left tail light plate retainer
- 058-D** Bulletproof screen housing rear
- 059-A** Bulletproof screen spring and housing
- 059-B** Bulletproof screen spring and housing
- 059-C** Bulletproof screen housing front
- 060-A** Bulletproof screen trigger
- 060-B** Boot lid hinge
- SCREWS** Type A (x4), C (x2), K (x2), L (x4)



NOTE: Parts not shown to scale.

# THE ROOF AND REAR

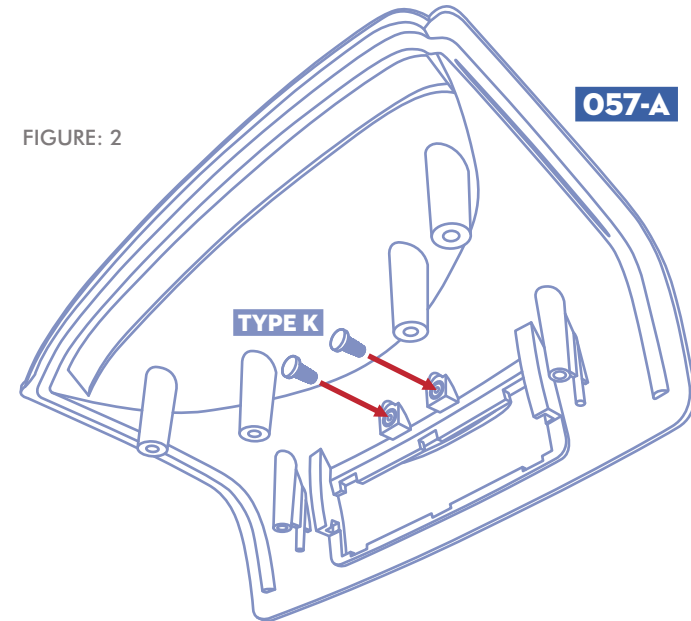
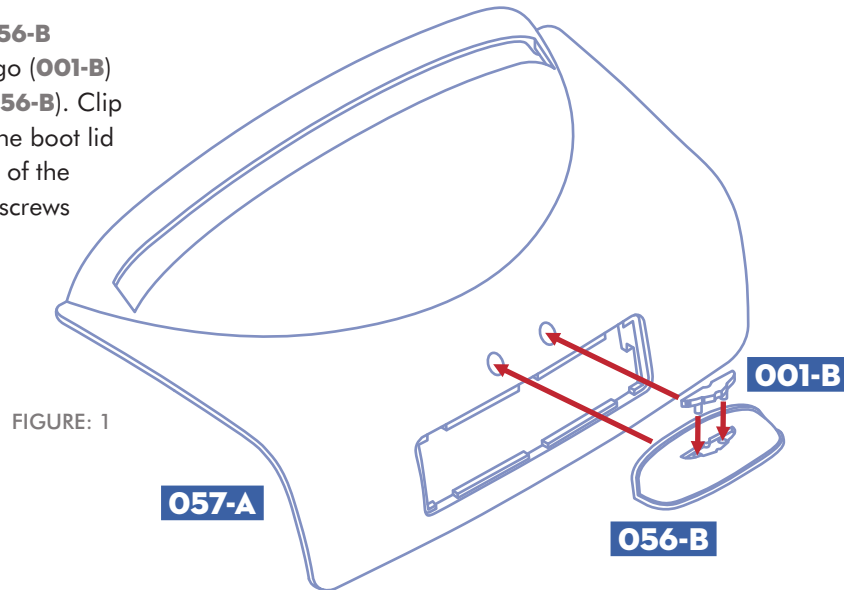
# BULLETPROOF SCREEN AND BOOT

Constructing the **BULLETPROOF SCREEN AND BOOT** of your Aston Martin DB5 model.

## STEP 1

**PARTS: 001-B, 057-A, 056-B**

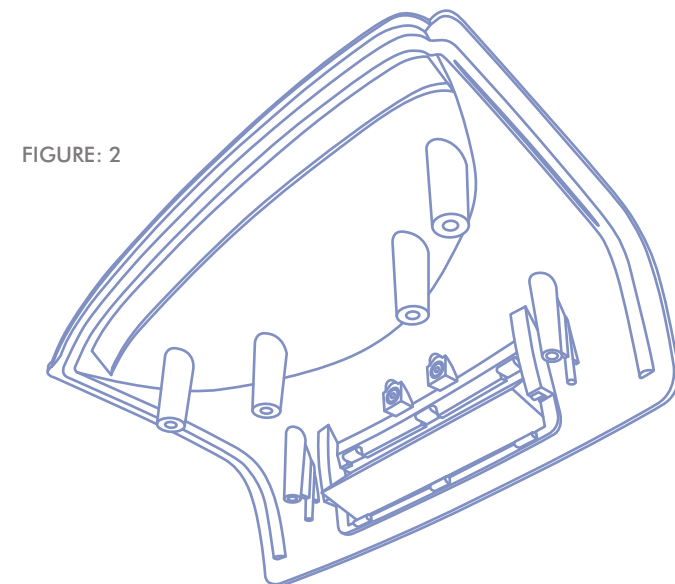
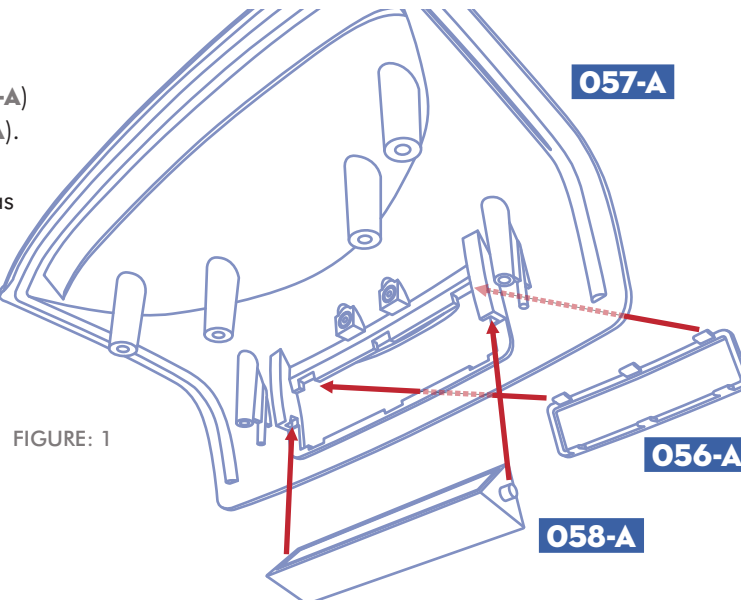
Clip the Aston Martin logo (**001-B**) to the boot lid handle (**056-B**). Clip this onto the outside of the boot lid (**057-A**). From the inside of the boot lid, use two Type K screws to fasten them together.



## STEP 2

**PARTS: 058-A, 057-A, 056-A**

Clip the licence plate retainer (**056-A**) to the outside of the boot lid (**057-A**). On the inside of the boot lid, fit the licence plate and its base (**058-A**) as shown.



# THE ROOF AND REAR

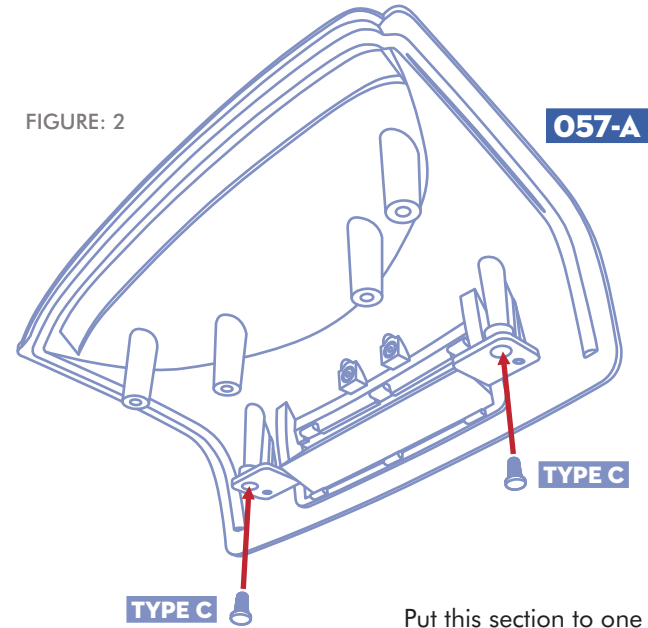
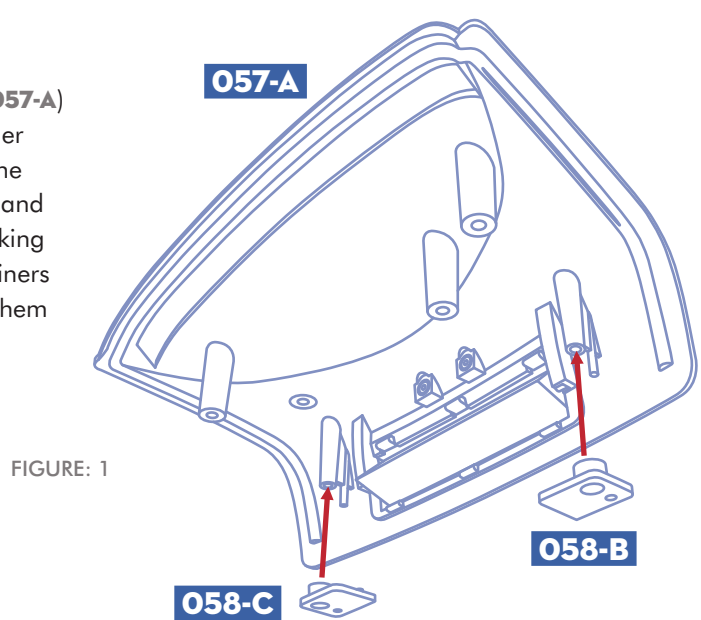
# BULLETPROOF SCREEN AND BOOT

Constructing the **BULLETPROOF SCREEN AND BOOT** of your Aston Martin DB5 model.

### STEP 3

**PARTS: 057-A, 058-B, 058-C**

On the inside of the boot lid (**057-A**) you can see two pegs, one either side of the licence plate. Clip the taillight plate retainers (**058-B** and **058-C**) in place as shown, making sure that the left and right retainers are on the correct peg. Screw them in using two Type C screws.

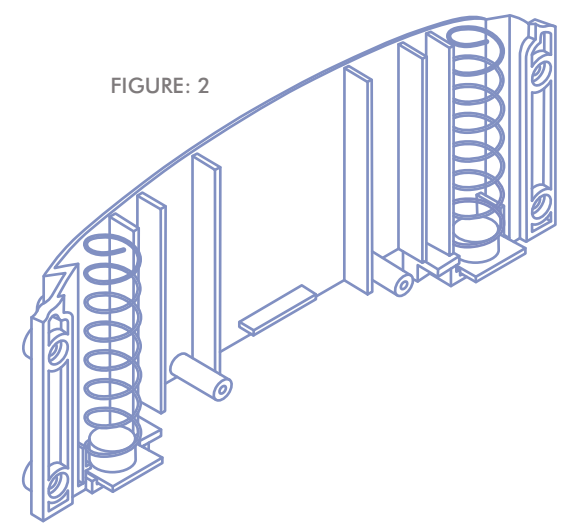
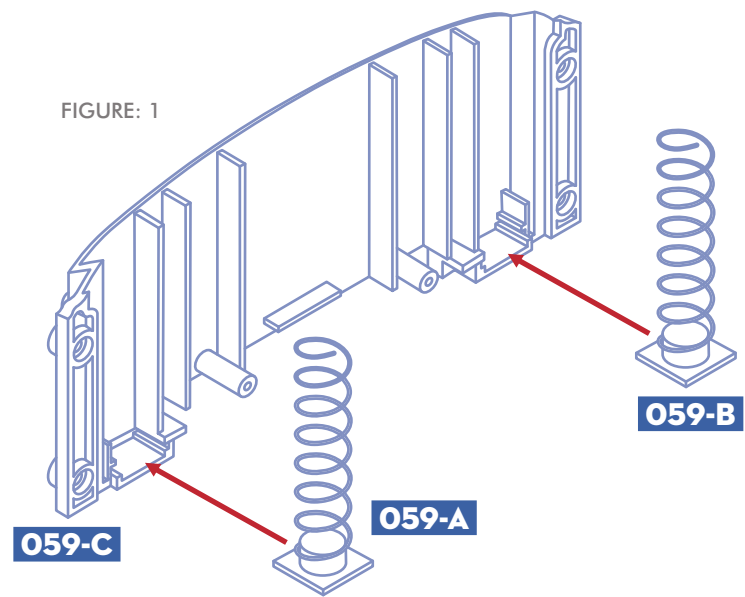


Put this section to one side for the moment.

### STEP 4

**PARTS: 059-A, 059-B, 059-C**

Place both sets of the springs and the spring housings (**059-A**, **059-B**) at the base of the bulletproof screen housing front (**059-C**), as shown.



# THE ROOF AND REAR

# BULLETPROOF SCREEN AND BOOT

Constructing the **BULLETPROOF SCREEN AND BOOT** of your Aston Martin DB5 model.

### STEP 5

**PARTS: 058-D, 059-C 060-A**

Place the bulletproof screen trigger (**060-A**) into the bulletproof screen housing rear (**058-D**). Next join the bulletproof housing front (**059-C**) to the bulletproof screen housing rear (**058-D**), screwing the two sides together with four Type L screws.

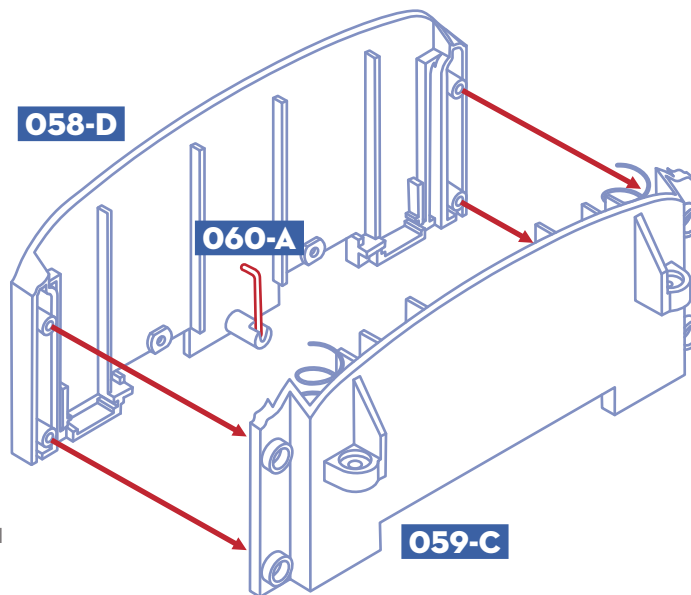


FIGURE: 1

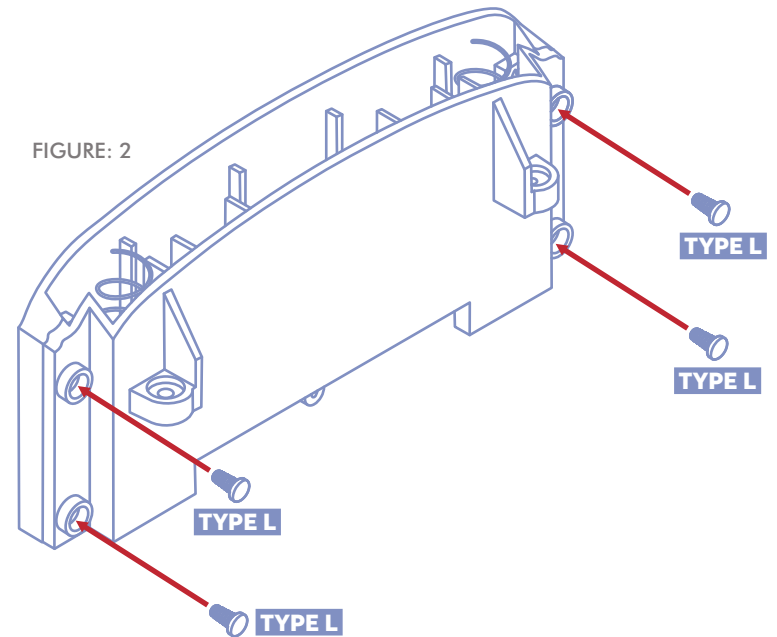


FIGURE: 2

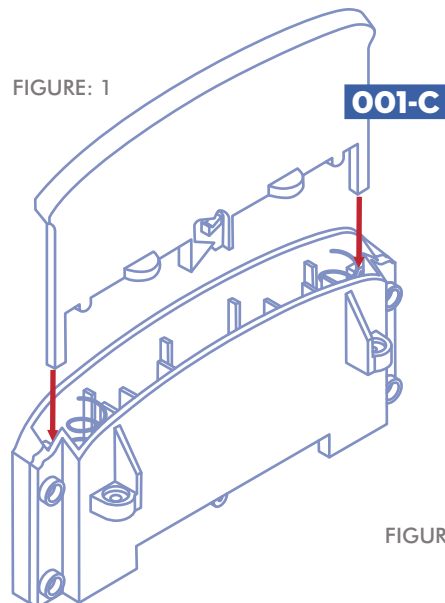


FIGURE: 1

### STEP 6

**PARTS: 001-C, 060-A**

Push the bulletproof screen (**001-C**) into the housing making sure that the trigger (**060-A**) is facing directly up. The trigger should slip around the shape in the screen. This should hold the

screen in place. Do not push down on the screen yet because until the bulletproof screen assembly is installed in the boot section there will be nothing to stop it from springing back up.

FIGURE: 2

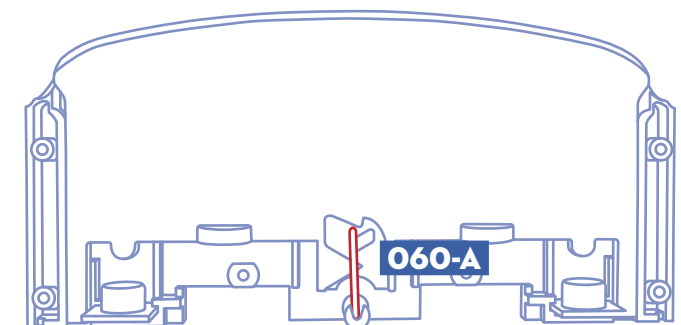
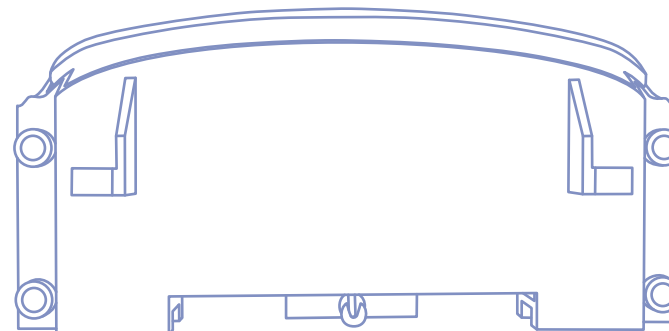


FIGURE: 3  
(POSITION OF TRIGGER  
INSIDE THE HOUSING)

# THE ROOF AND REAR

# BULLETPROOF SCREEN AND BOOT

Constructing the **BULLETPROOF SCREEN AND BOOT** of your Aston Martin DB5 model.

## STEP 7

**PARTS: BOOT LID SECTION, BULLETPROOF SCREEN HOUSING SECTION**

Clip the two sections in place as shown, and screw them together with two Type A screws.

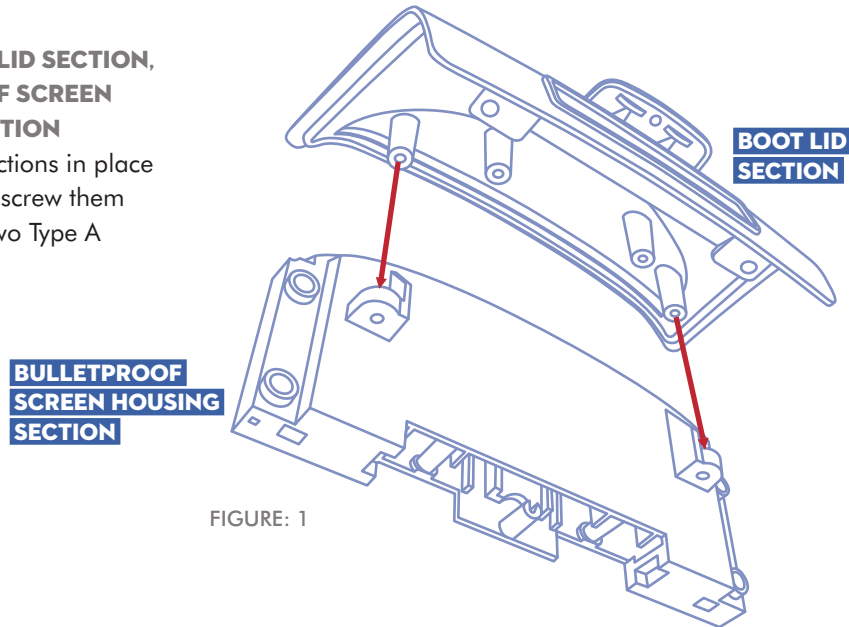
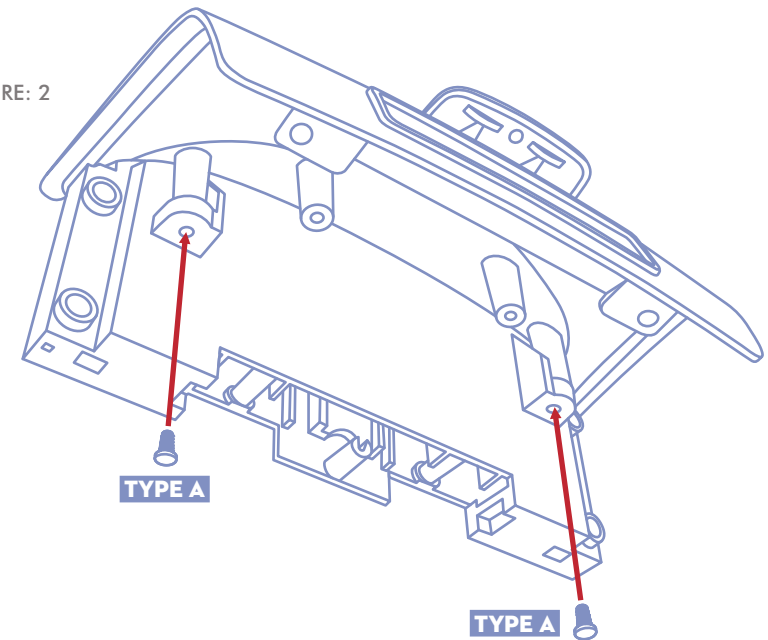


FIGURE: 1

FIGURE: 2



## STEP 8

**PARTS: BULLETPROOF SCREEN HOUSING SECTION, O60-B**

Fix the boot lid hinge (**O60-B**) to the base of the bulletproof screen housing section that you have just built with two Type A screws. Make sure the hinge hooks into the bottom of the bulletproof screen.

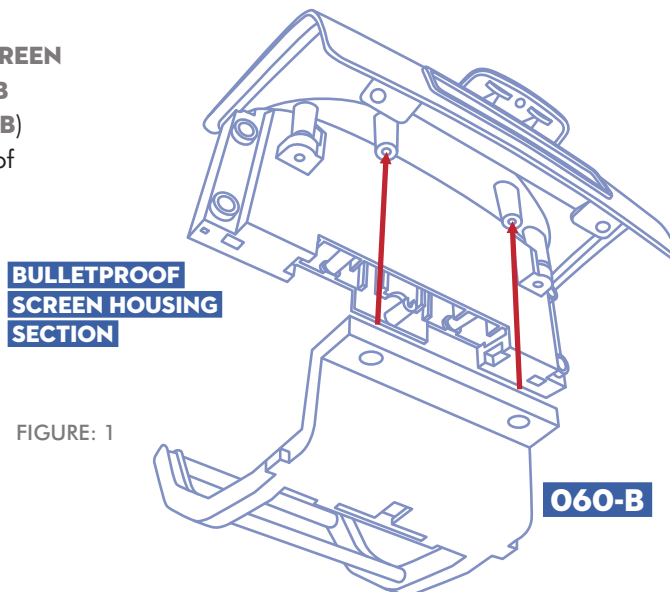


FIGURE: 1

FIGURE: 2

