

THE ROOF AND REAR

Putting the sections together.

THE PARTS YOU WILL NEED:

READER-ASSEMBLED PARTS

- Rear wing section
- Roof section
- Rear shelf section
- Boot lid and bulletproof screen section

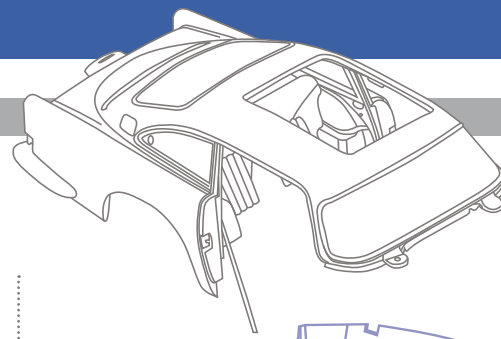
NUMBERED PARTS:

- 072-A** Right quarterlight panel
- 072-B** Left quarterlight panel
- 072-C** Boot lid hinge cover
- 072-D** Boot and electronic parts
- 073-A** Rear bumper

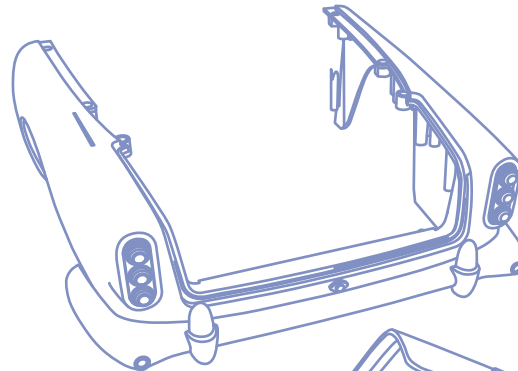
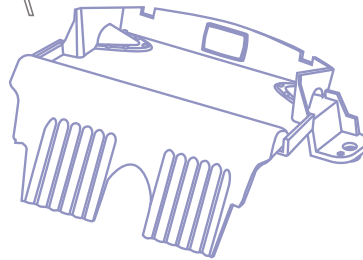
- SCREWS** A (x10), C (x2), L (x3), U (x3)

NOTE: Parts not shown to scale.

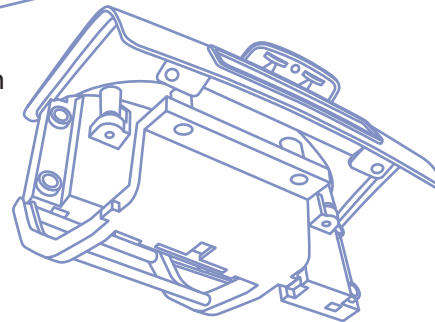
COMPLETING THIS SECTION



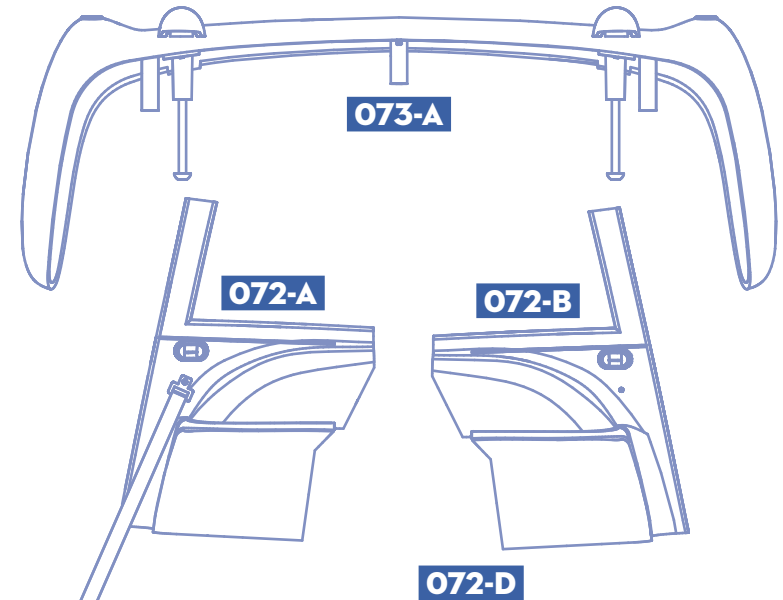
■ Rear shelf section



■ Rear wing section



■ Boot lid and bulletproof screen section

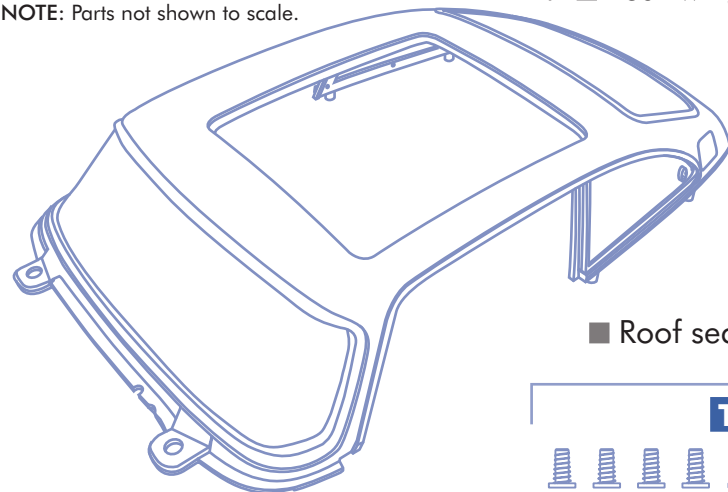
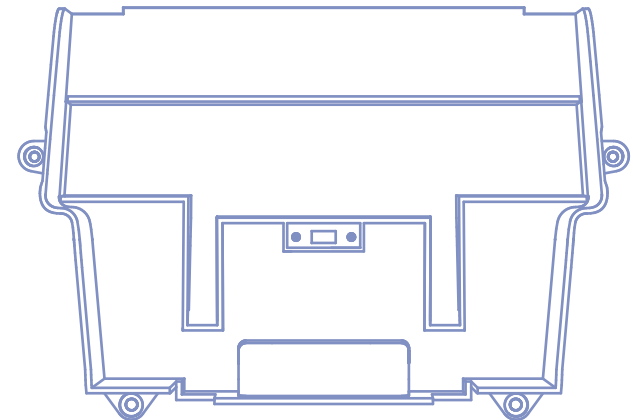


073-A

072-A

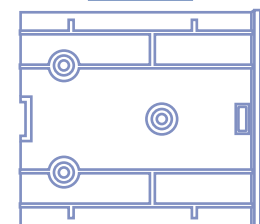
072-B

072-D



■ Roof section

072-C



SCREWS

TYPE A



TYPE C



TYPE L



TYPE U



THE ROOF AND REAR

COMPLETING THIS SECTION

Putting the sections together.

STEP 1

PARTS: REAR SHELF SECTION, BULLETPROOF SCREEN SECTION

Take these sections that you have already assembled, and rest the rear shelf section onto the bulletproof screen section, as shown.

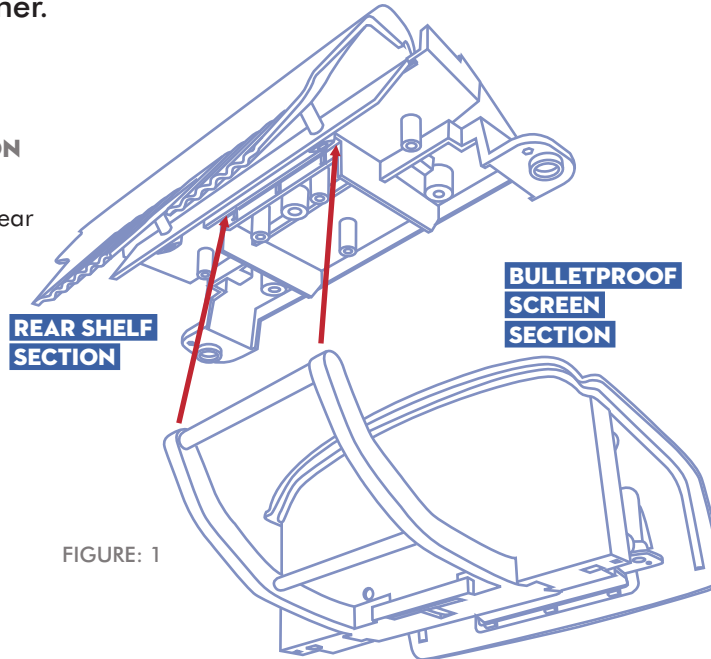
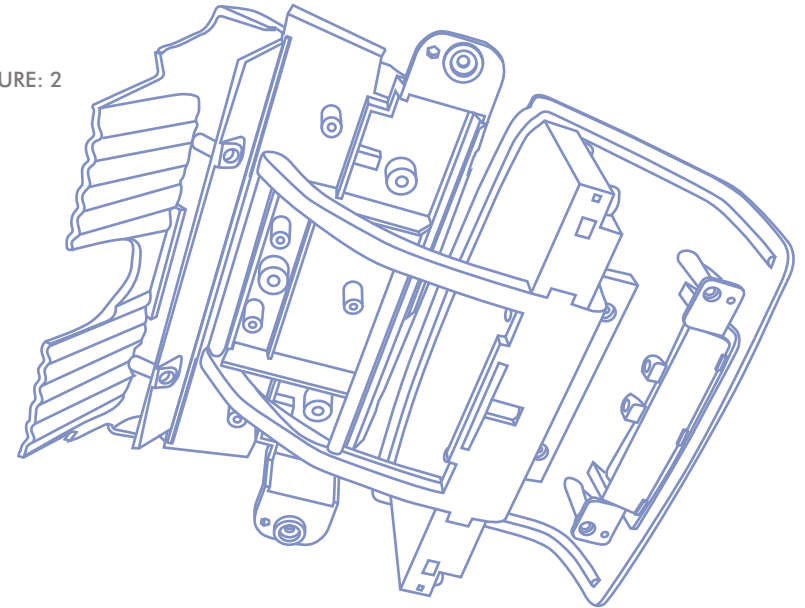


FIGURE: 1

FIGURE: 2



STEP 2

PARTS: REAR SHELF AND BULLETPROOF SCREEN SECTIONS, 072-C

Fit the boot lid hinge cover (072-C) over the hinge as shown. Use two Type C screws nearest to the hinge and one Type L through centre of the hinge cover.

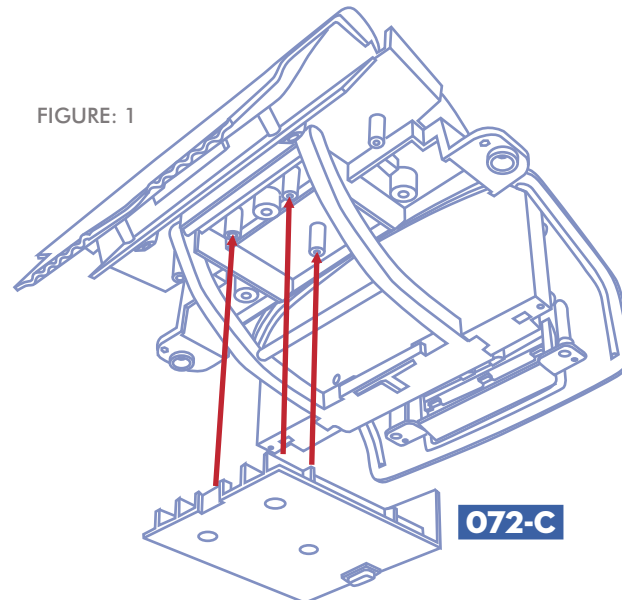


FIGURE: 1

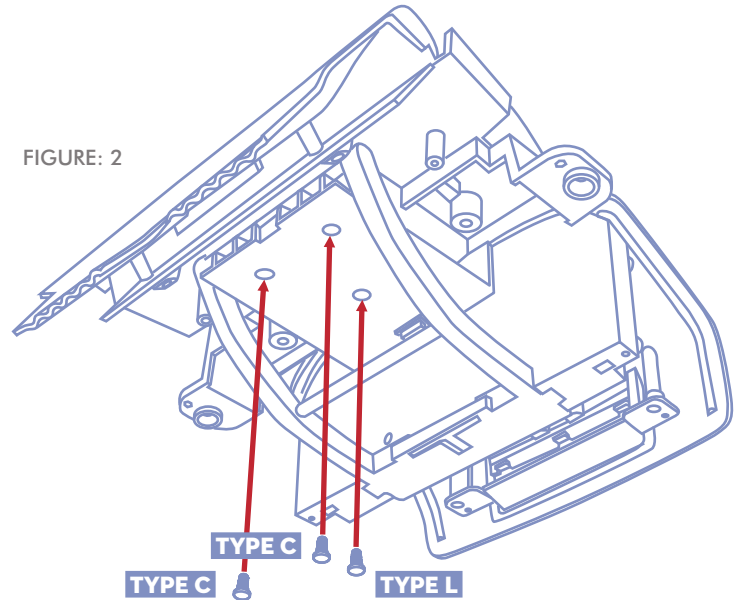


FIGURE: 2

THE ROOF AND REAR

COMPLETING THIS SECTION

Putting the sections together.

STEP 3

PARTS: AS STEP 2, 072-D

Fit the combined rear shelf and bulletproof screen sections to the boot and electronic part (072-D). Screw them together using two Type L screws as shown.

FIGURE: 1

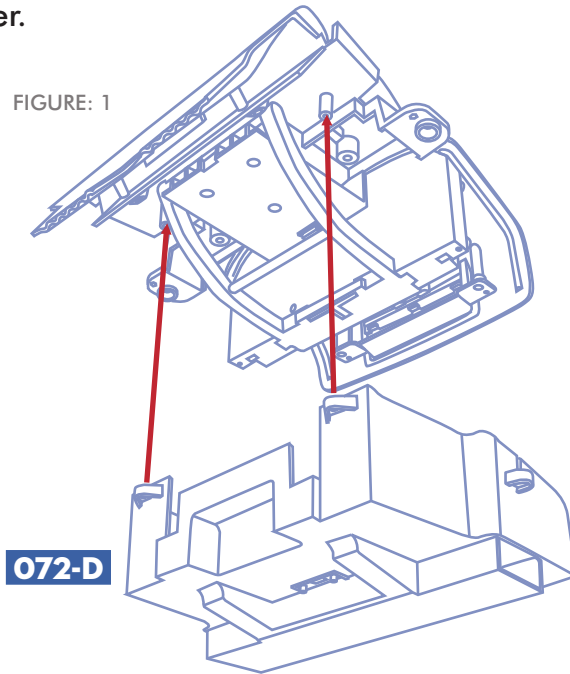
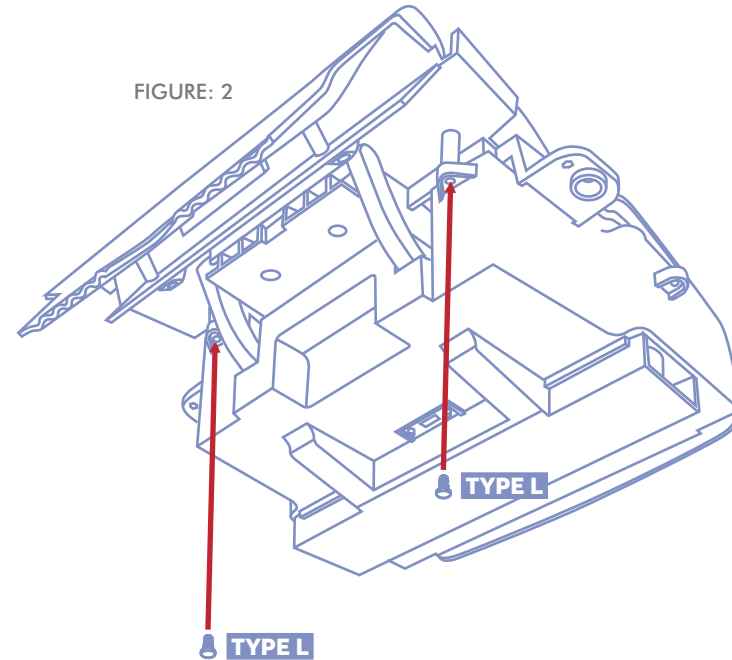


FIGURE: 2



STEP 4

PARTS: REAR WINGS AND TAILLIGHTS, THE BOOT SECTION

The boot section should clip easily in to the back of the rear wings section you assembled earlier. Fix it in place using two Type A screws as shown.

FIGURE: 1

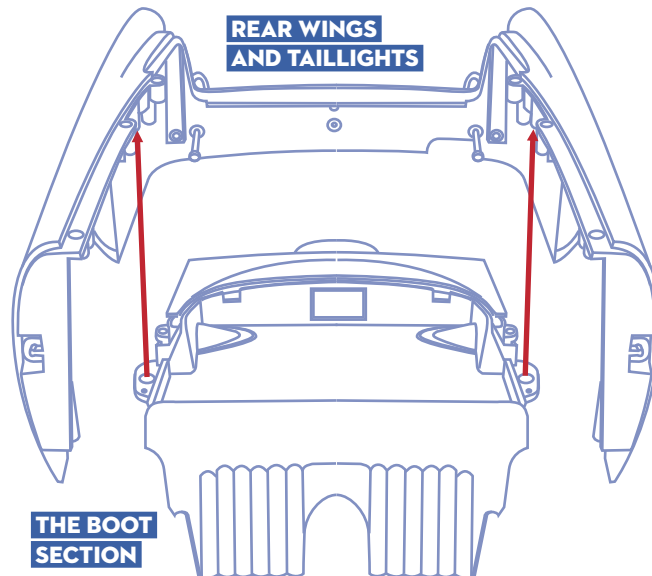
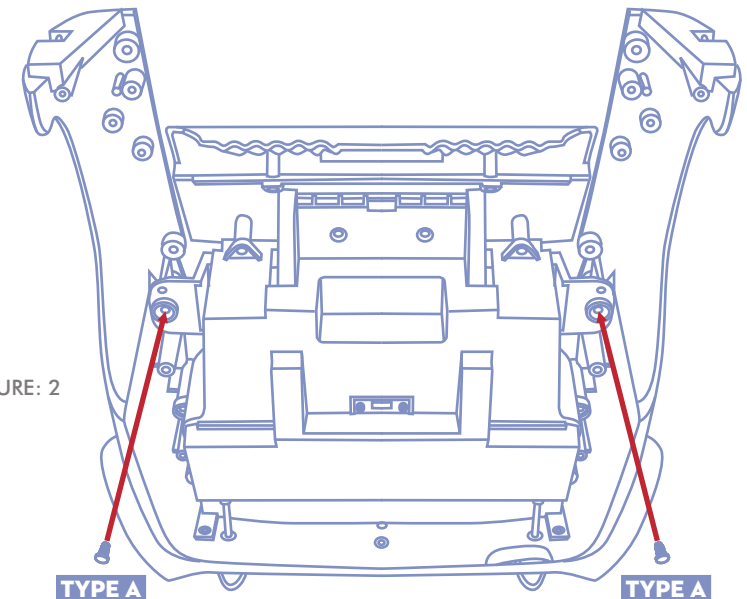


FIGURE: 2



THE ROOF AND REAR

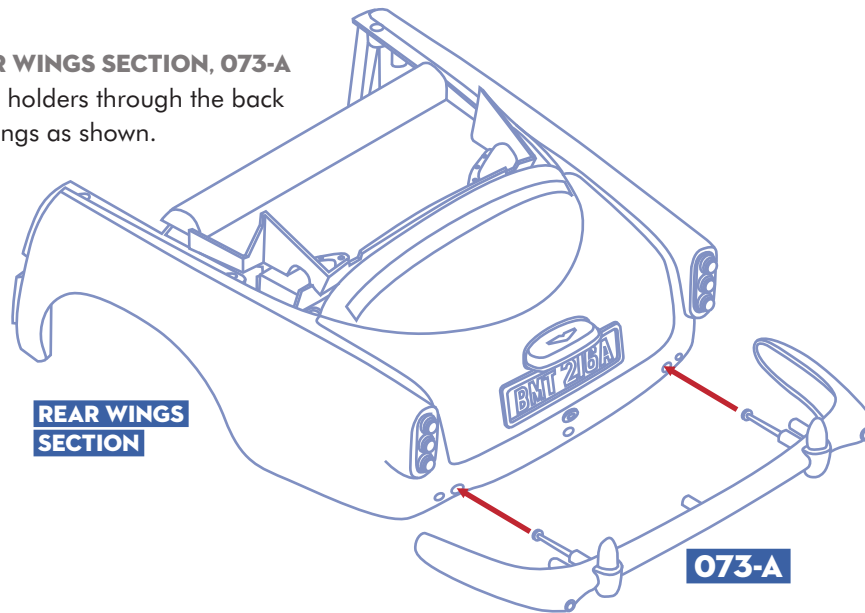
COMPLETING THIS SECTION

Putting the sections together.

STEP 5

PARTS: REAR WINGS SECTION, 073-A

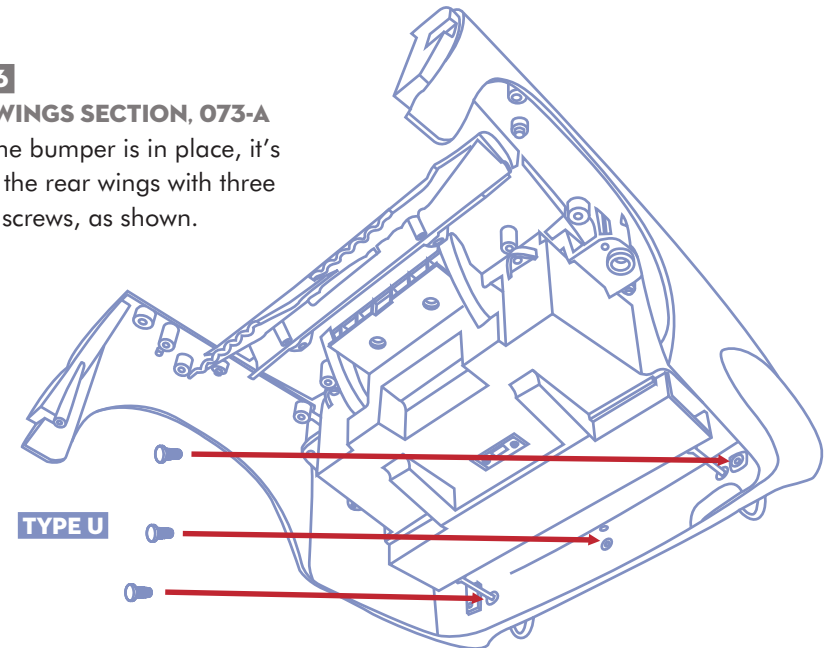
Feed the ram holders through the back of the rear wings as shown.



STEP 6

REAR WINGS SECTION, 073-A

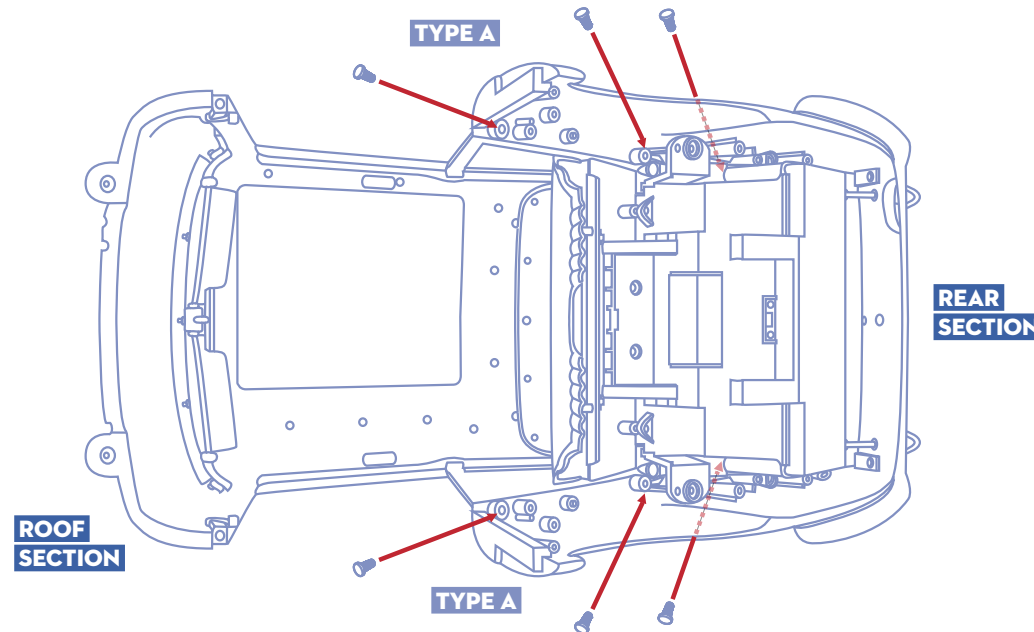
Once the bumper is in place, it's held to the rear wings with three Type U screws, as shown.



STEP 7

PARTS: ROOF SECTION, REAR SECTION

Fit the roof section onto the rear wings. This can seem tricky. Lift the boot slightly and then tuck the rear of the roof under the boot and it will click in place. There are holes in the top of the rear wings that match the pegs at the bottom of the roof section. Screw the sections together with six Type A screws on the inside of the rear wings, matching the positions of each corner of the side windows, as shown.



THE ROOF AND REAR

COMPLETING THIS SECTION

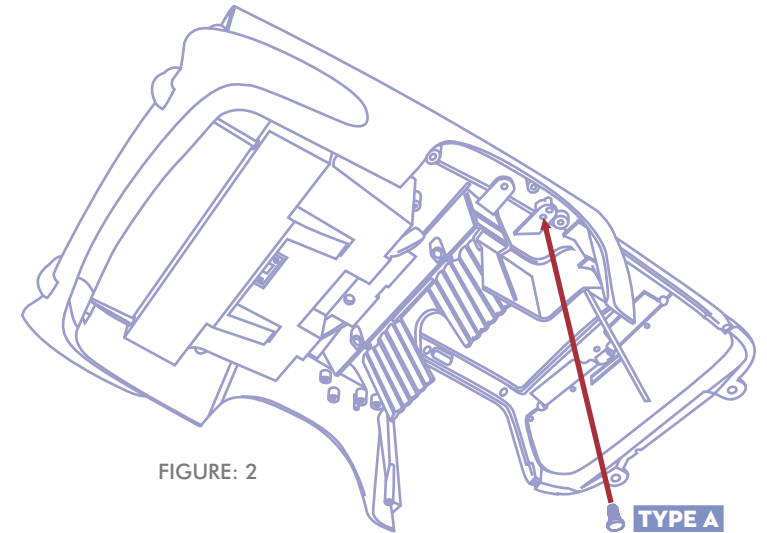
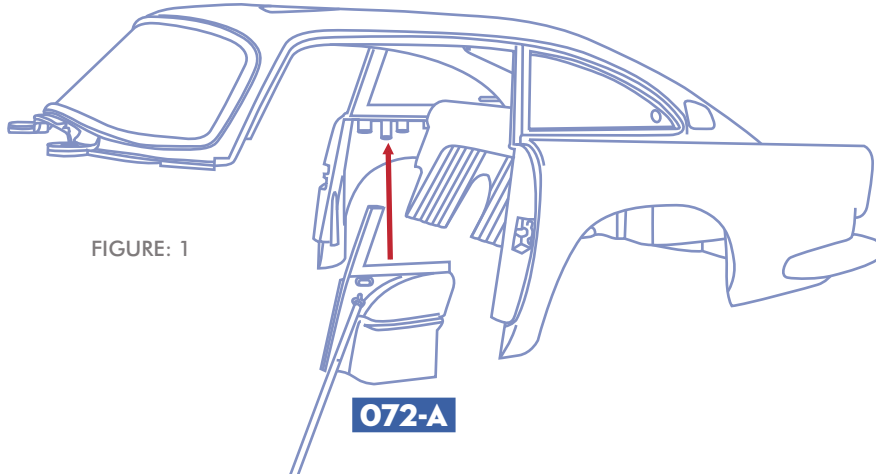
Putting the sections together.

STEP 8

PARTS: 072-A, 072-B

The quarterlight panels (**072-A, 072-B**) connect to the underside of the roof section. Clip **072-A** to the pegs in the roof section, as shown. Then use one Type A screw to fix it in.

Repeat this for **072-B** on the left-hand side.



- This section is now complete and should be stored somewhere safe and secure as there are parts that could be broken if not cared for.

