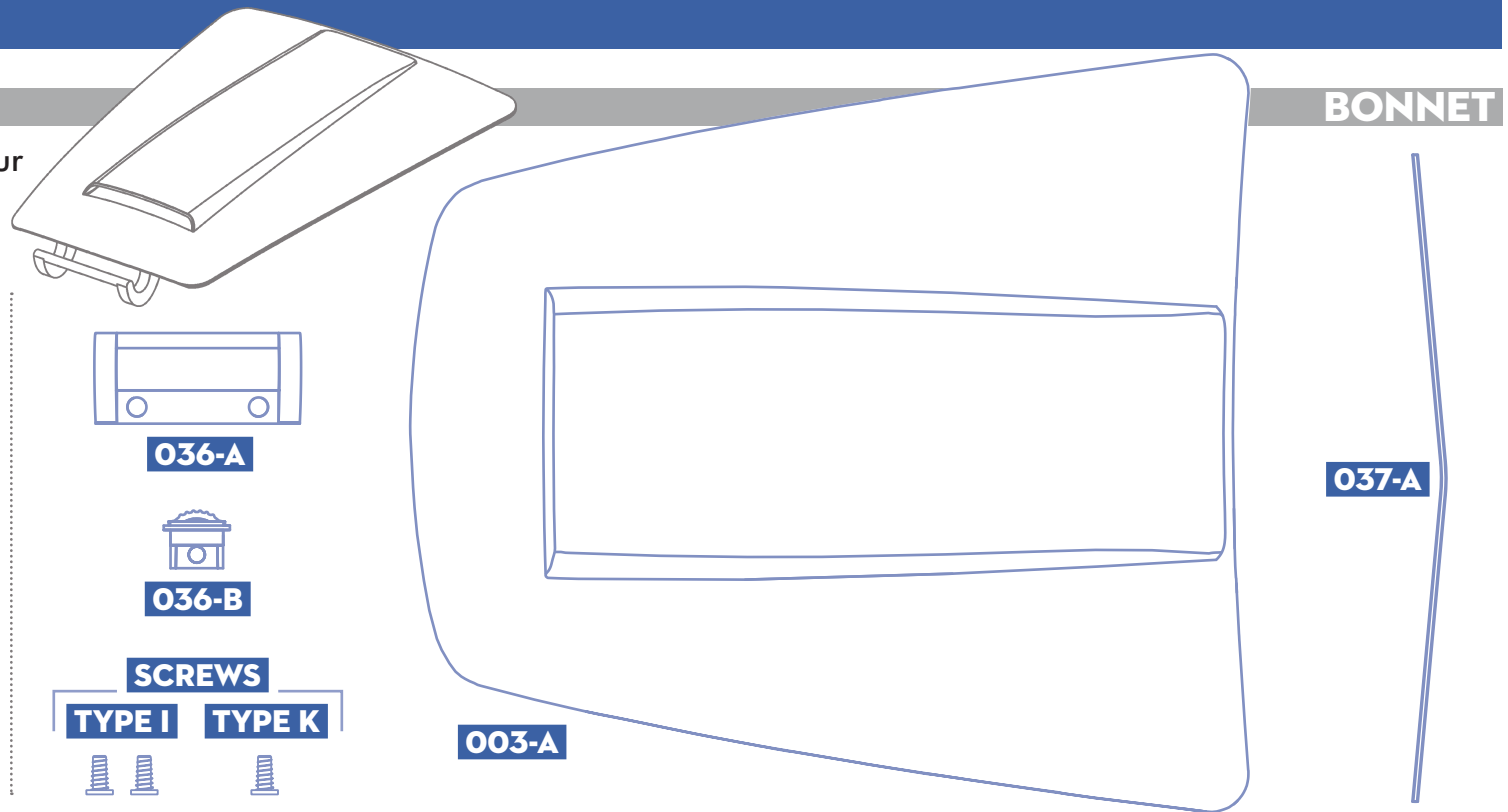


THE FRONT BODY

Constructing the **BONNET** of your Aston Martin DB5 model.

THE PARTS YOU WILL NEED:

- 003-A**: Bonnet
- 036-A**: Bonnet hinge
- 036-B**: Support rod holder
- 037-A**: Support rod
- SCREWS**: I (x2), K (x1)



NOTE: Parts not shown to scale.

STEP 1

PARTS: 003-A, 036-A

Screw the bonnet hinge (**036-A**) to the underside of the bonnet (**003-A**) as shown, using two chrome Type I screws.

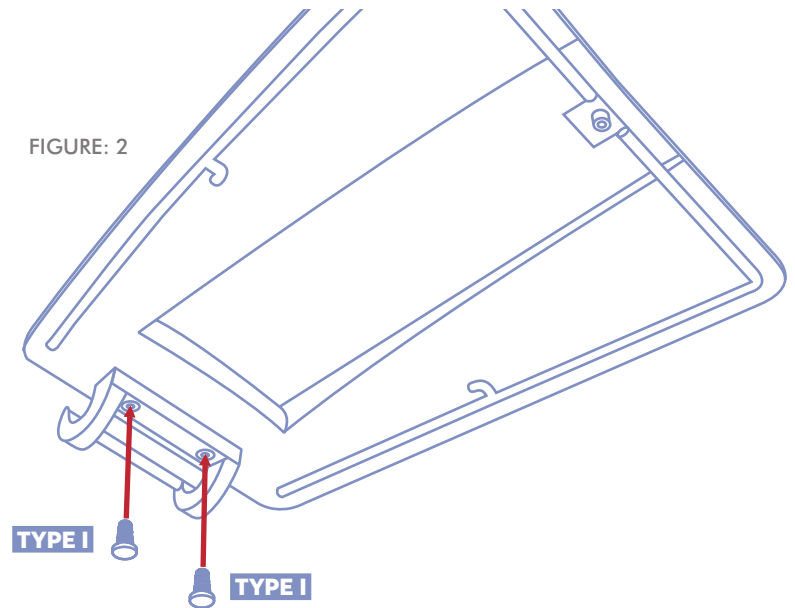
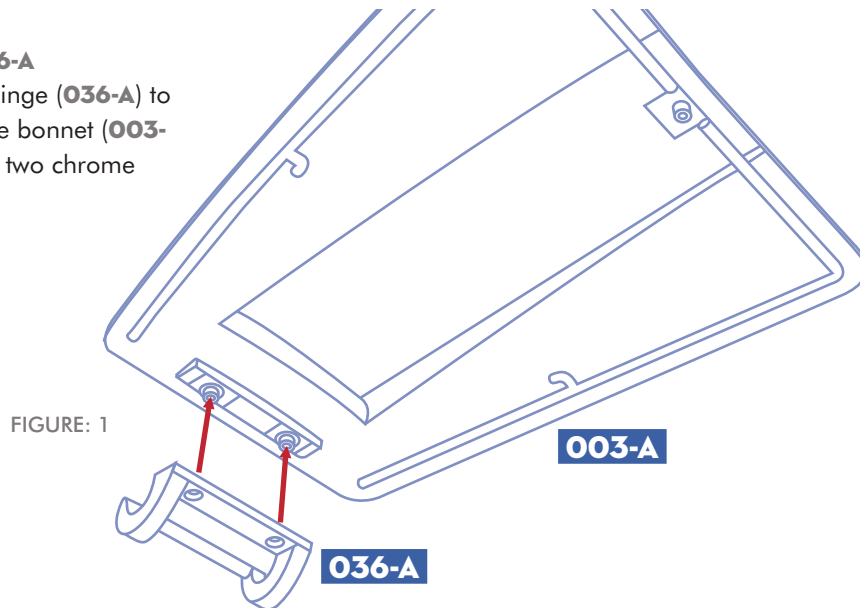


FIGURE: 2

THE FRONT BODY

BONNET

Constructing the **BONNET** of your Aston Martin DB5 model.

STEP 2

PARTS: 003-A, 036-B

Using one Type K screw, fix the support rod holder (**036-B**) to the underside of the bonnet.

FIGURE: 1

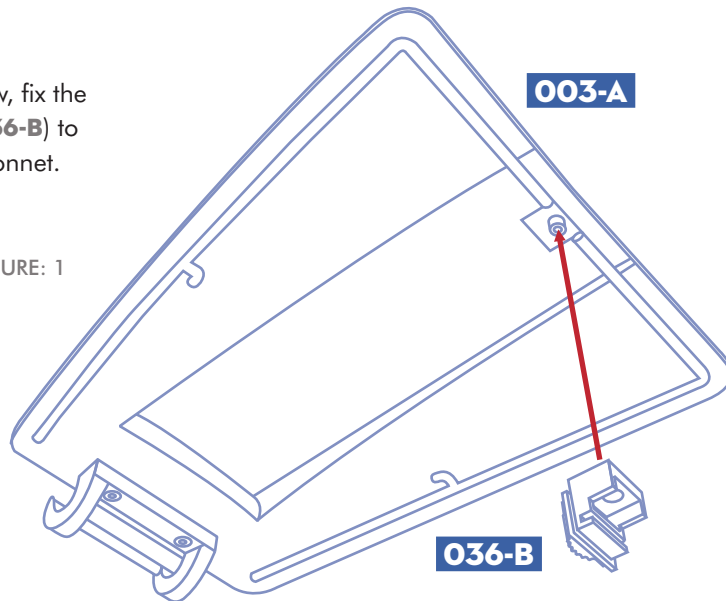
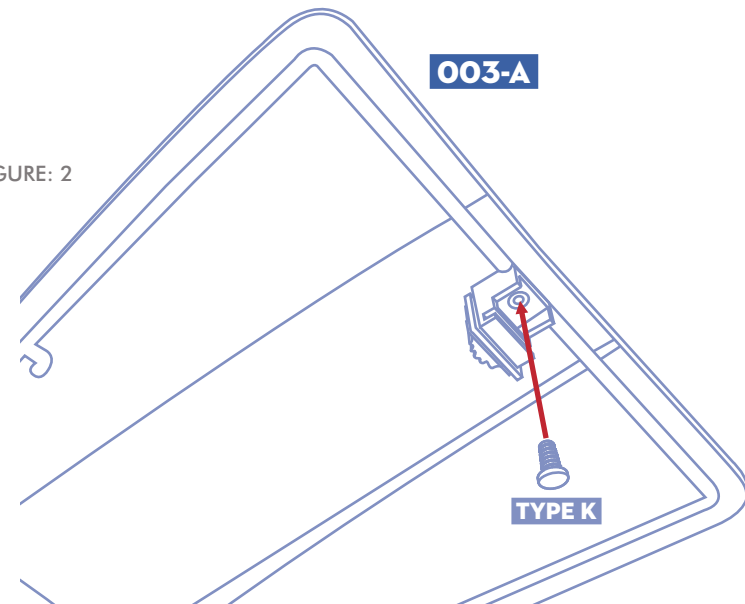


FIGURE: 2



STEP 3

PARTS: 003-A/036-B, 037-A

Clip the support rod (**037-A**) to the bonnet's underside through the support rod holder. Make sure the ends of the rod fit into the grooves on the bonnet's underside.

FIGURE: 1

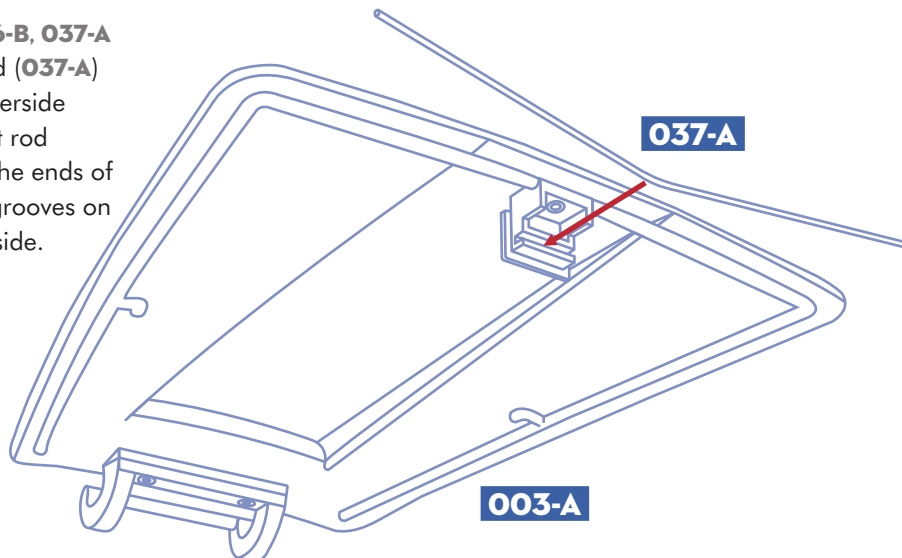
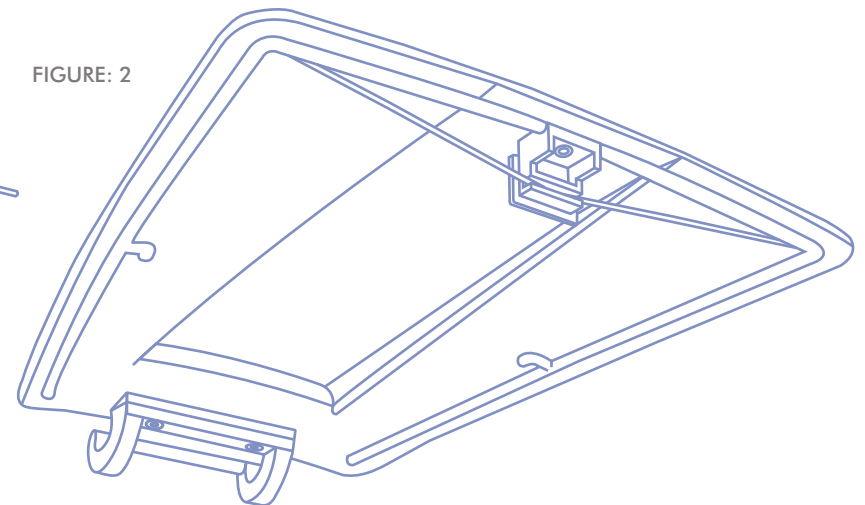


FIGURE: 2



Set this assembled section aside.