

THE FRONT BODY

FRONT BUMPER

Constructing the **FRONT BUMPER** of your Aston Martin DB5 model.

THE PARTS YOU WILL NEED:

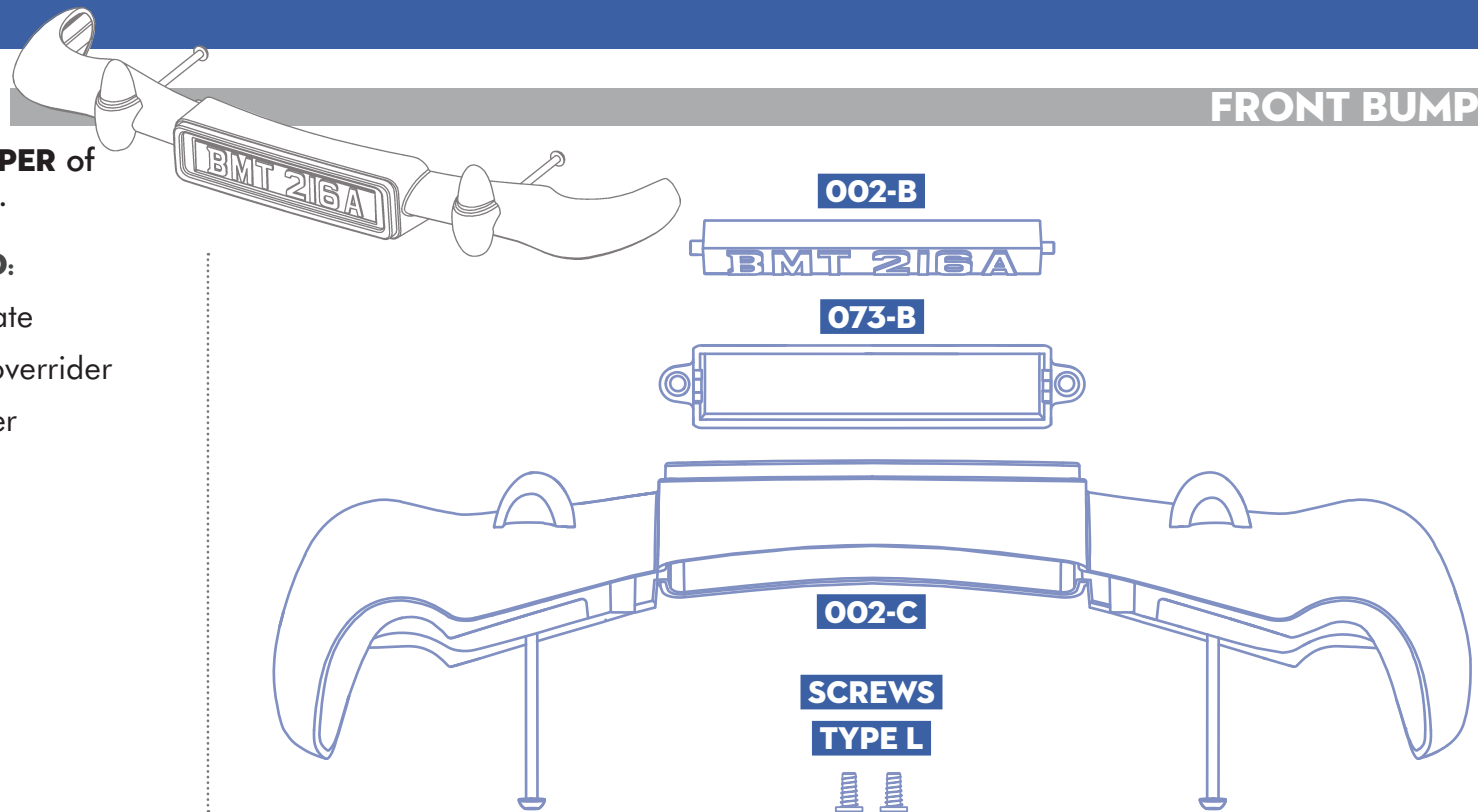
002-B: Rotating number plate

002-C: Front bumper and overrider

073-B: Licence plate retainer

SCREWS: L (x2)

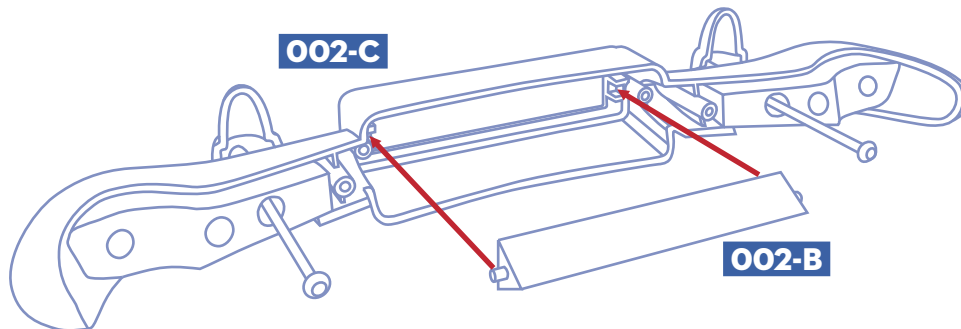
NOTE: Parts not shown to scale.



STEP 1

PARTS: 002-B, 002-C

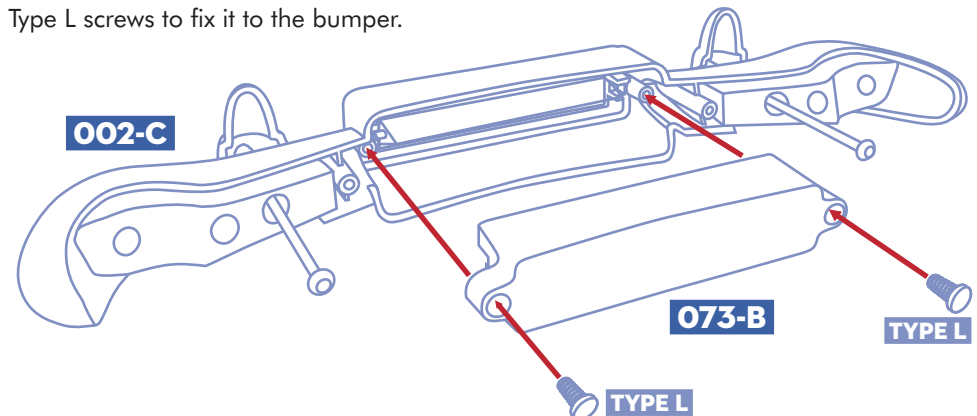
Place the rotating licence plate (**002-B**) inside the front bumper (**002-C**), taking care to make sure it is the right way up.



STEP 2

PARTS: 002-C, 073-B

Fit the licence plate retainer (**073-B**) behind the licence plate and onto the front bumper (**002-C**). Use two Type L screws to fix it to the bumper.



Set this assembled section aside.