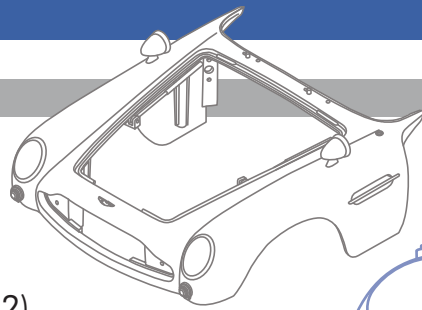


# THE FRONT BODY

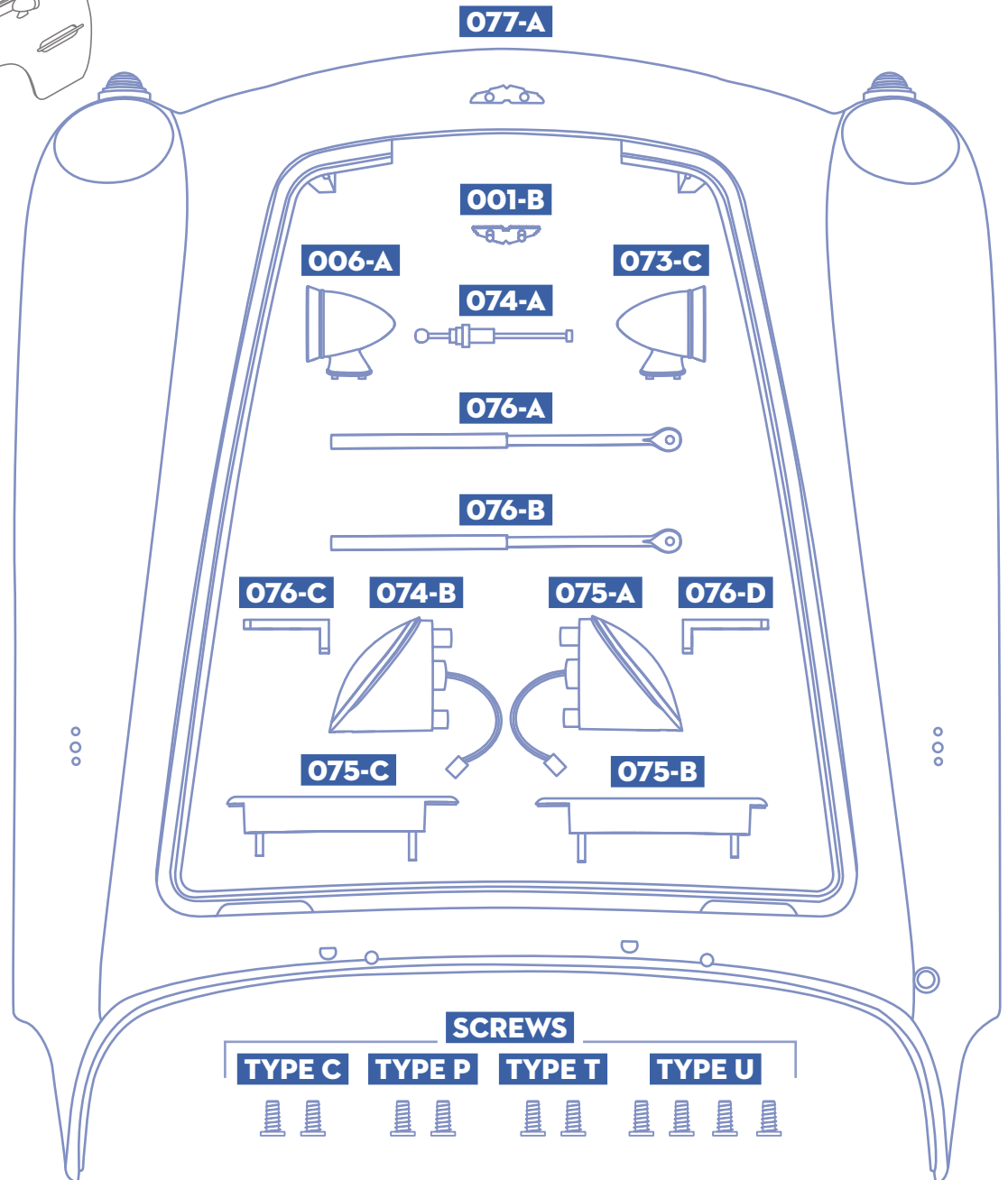
Constructing the **FRONT** of your Aston Martin DB5 model.



## FRONT DETAILS

### THE PARTS YOU WILL NEED:

- 001-B** : Aston Martin logo (2 of 2)
- 006-A** : Right wing mirror
- 073-C** : Left wing mirror
- 074-A** : Antenna
- 074-B** : Left headlight and electronics
- 075-A** : Right headlight and electronics
- 075-B** : Left side rail
- 075-C** : Right side rail
- 076-A** : Left bonnet support rod
- 076-B** : Right bonnet support rod
- 076-C** : Left bonnet support rod mount
- 076-D** : Right bonnet support rod mount
- 077-A** : Car front body
- SCREWS** : Type C (x2), P (x2), T (x2), U (x4)



NOTE: Parts not shown to scale. Wiring/electronics not shown.

# THE FRONT BODY

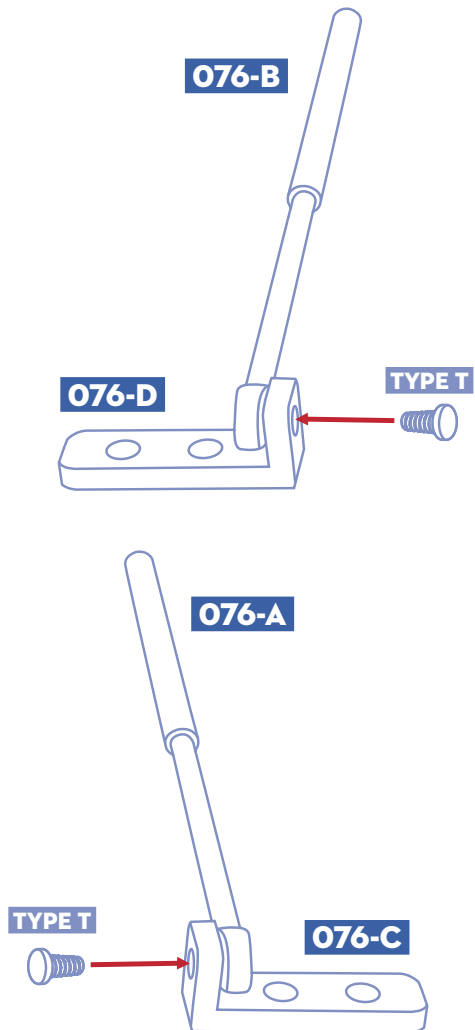
# FRONT DETAILS

Constructing the **FRONT** of your Aston Martin DB5 model.

## STEP 1

**PARTS: 076-A, 076-B, 076-C, 076-D**

Using two Type T screws, fasten the bonnet support rods (**076-A, 076-B**) to the bonnet support mounts (**076-C, 076-D**).



## STEP 2

**PARTS: 076-A/076-B, 077-A**

The support rods and their mounts (**076-A/076-B** and **076-C/076-D**) clip on either side of the bonnet underside (**077-A**). Use Type C screws to attach the support mounts to the bonnet.

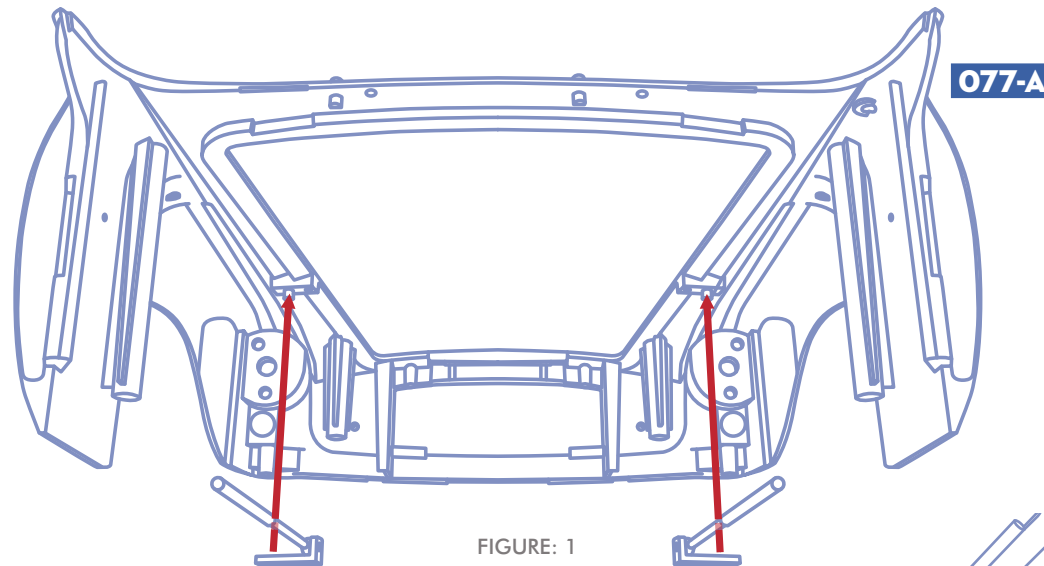
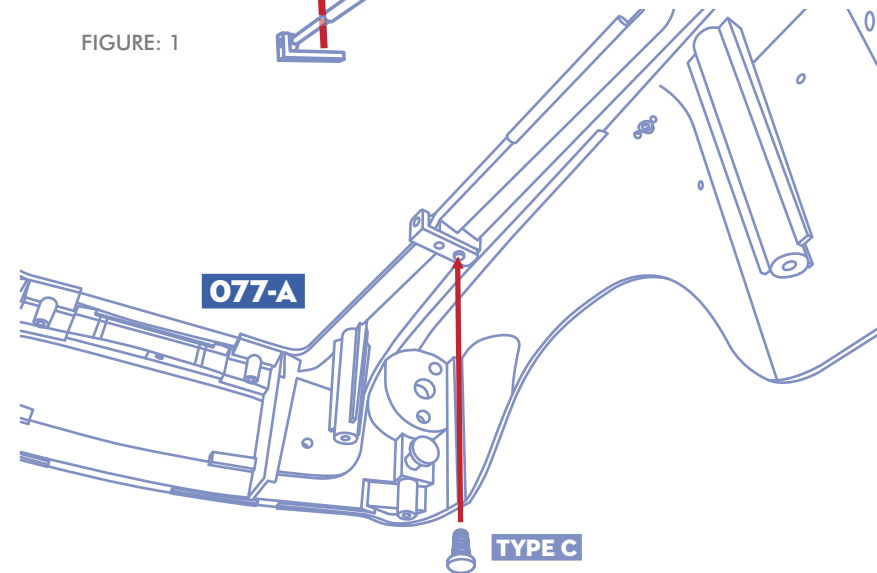


FIGURE: 1

FIGURE: 2



# THE FRONT BODY

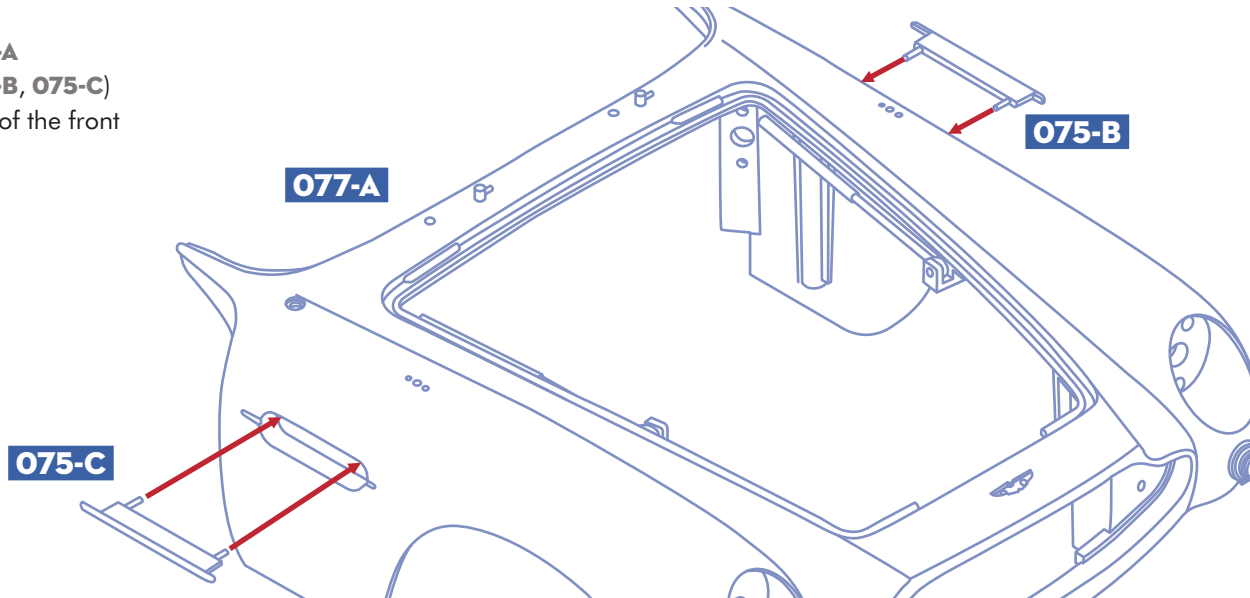
## FRONT DETAILS

Constructing the **FRONT** of your Aston Martin DB5 model.

### STEP 3

**PARTS: 075-B, 075-C, 077-A**

Clip the two side rails (**075-B, 075-C**) into the slots on either side of the front car body (**077-A**).



### STEP 4

**PARTS: 006-A, 073-C, 077-A**

Clip the side mirrors (**006-A, 073-C**) into their respective slots on either side of the front car body (**077-A**). From the underside of the car body, use two Type P screws to fix the mirrors to the car body.

FIGURE: 1

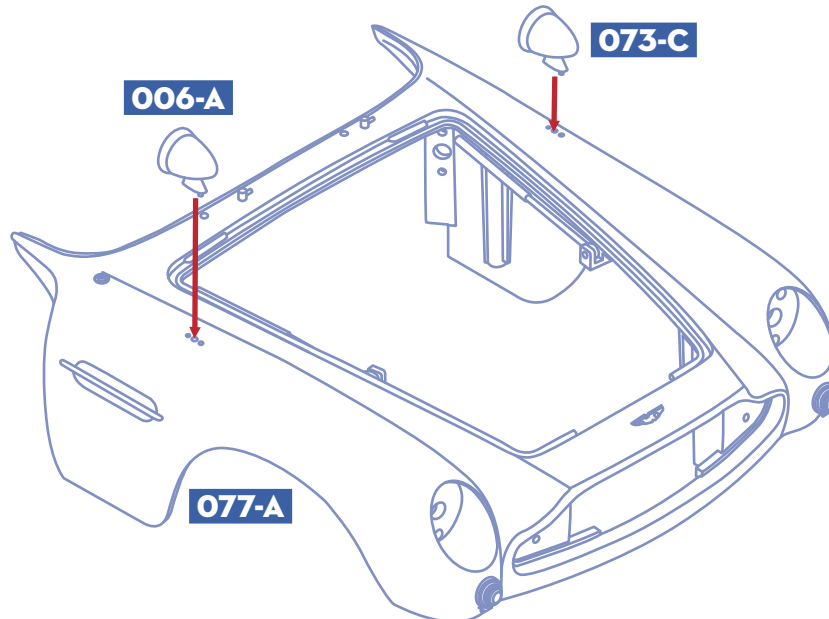
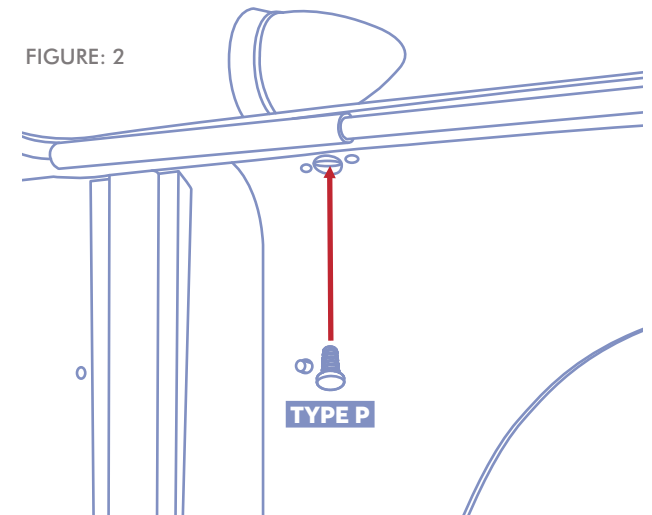


FIGURE: 2



# THE FRONT BODY

## FRONT DETAILS

Constructing the **FRONT** of your Aston Martin DB5 model.

### STEP 5

**PARTS: 077-A, 074-B, 075-A**

Carefully feed the electronic leads of each headlight (**074-B, 075-A**) through the central hole where the headlights rest, then clip the headlights in. Taking care with the other parts assembled so far, turn the car body over, then fix the headlights in place using two Type U screws on each light.

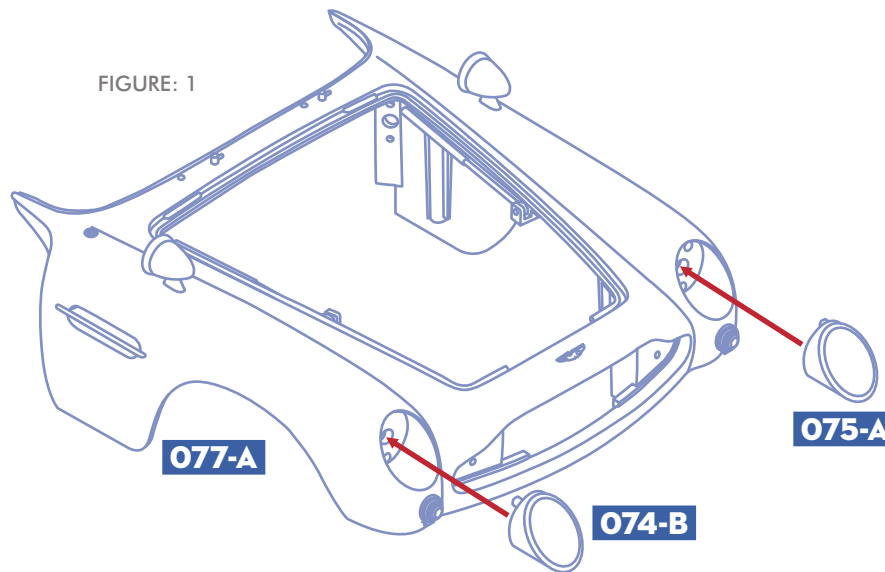
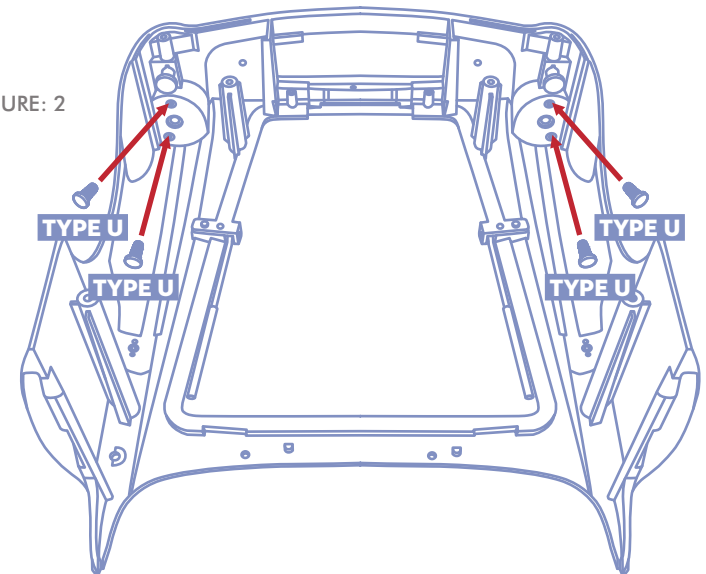


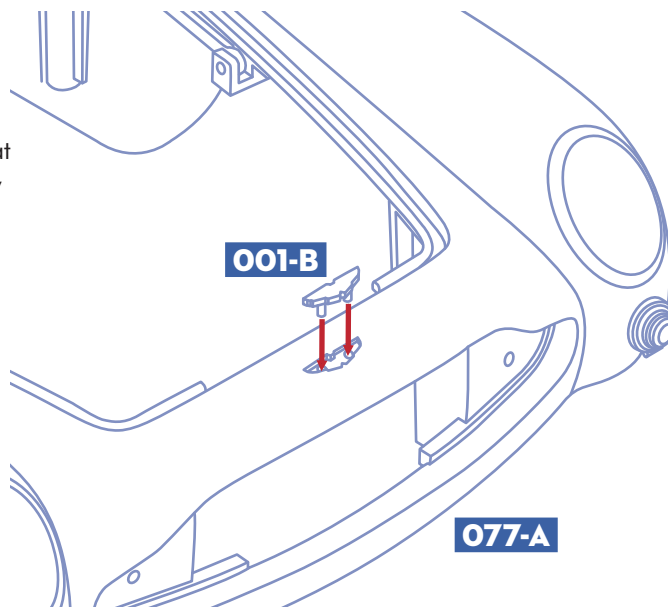
FIGURE: 2



### STEP 6

**PARTS: 001-B, 077-A**

Clip one of the Aston Martin badges (**001-B**) into its central position at the front of the car body (**077-A**).



### STEP 7

**PARTS: 074-A, 077-A**

Slide the antenna (**074-A**) into the hole at the top left of the bonnet until it clicks (**077-A**).

