

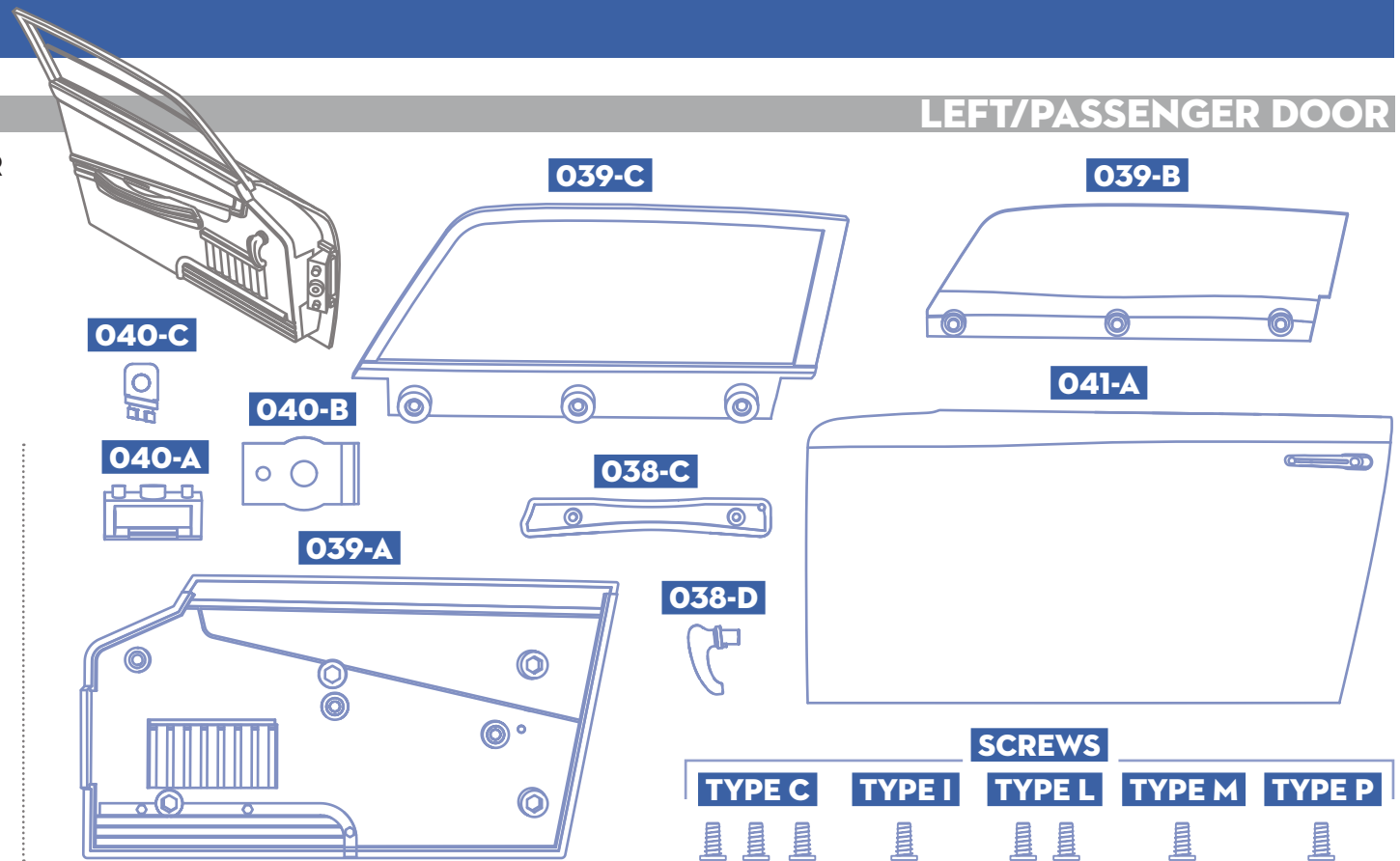
THE FRONT BODY

Constructing the **PASSENGER DOOR** of your Aston Martin DB5 model.

THE PARTS YOU WILL NEED:

- 038-C** : Left door arm rest
- 038-D** : Inside door handle
- 039-A** : Left door panel and trim
- 039-B** : Left door window
- 039-C** : Left door window frame
- 040-A** : Left door hinge
- 040-B** : Left door hinge retainer
- 040-C** : Left door lock
- 041-A** : Left door and handle
- SCREWS** : Type C (x3), I (x1), L (x2), M (x1), P (x1)

LEFT/PASSENGER DOOR

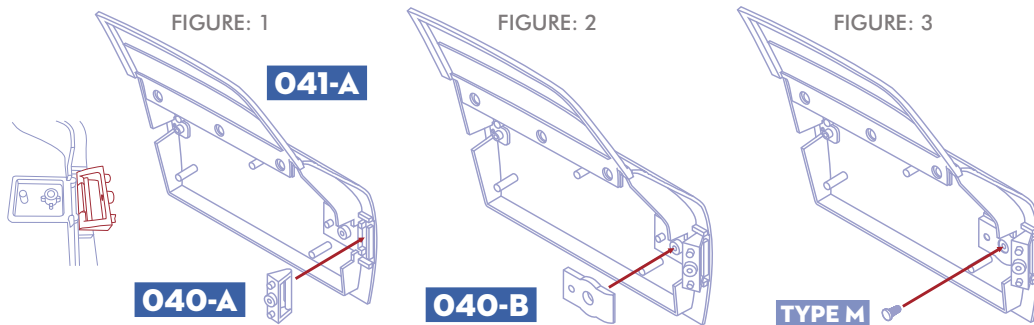


NOTE: Parts not shown to scale.

STEP 1

PARTS: 040-A, 040-B, 041-A

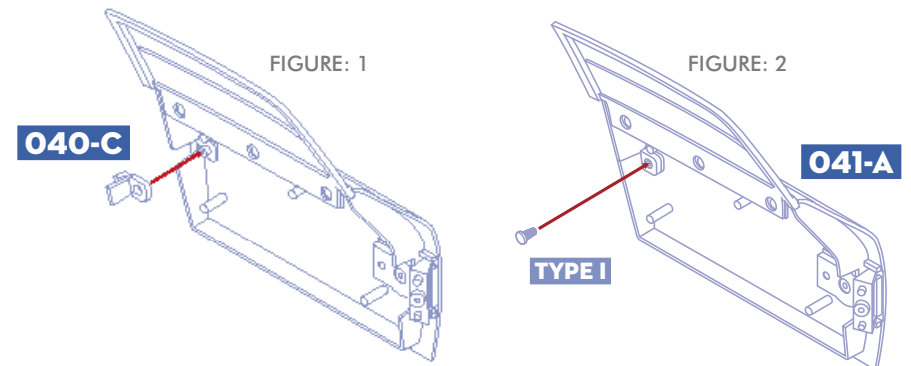
Place the left door hinge (**040-A**) against the inside of the left door (**041-A**) with the triangular part facing up. (The 'L' on the hinge should be nearest the bottom of the door). Put the hinge retainer (**040-B**) over this and fix in place with a Type M screw.



STEP 2

PARTS: 040-C, 041-A

Clip the left door lock (**040-C**) into the inside of the left door (**041-A**). Use a Type I screw to fix the lock into place.



THE FRONT BODY

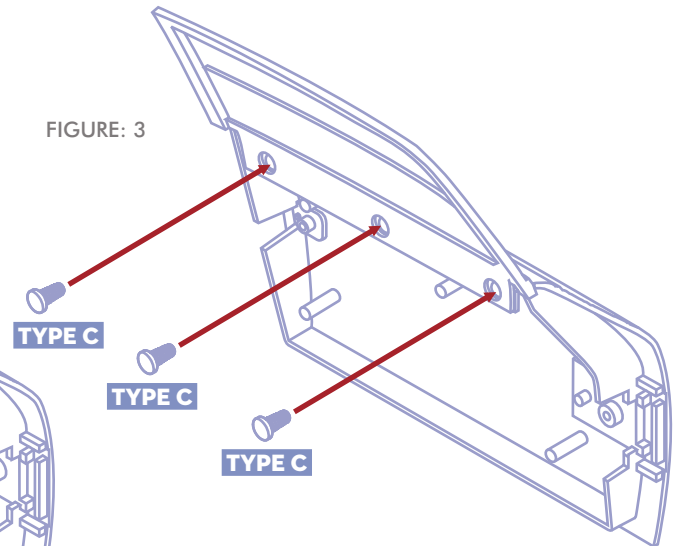
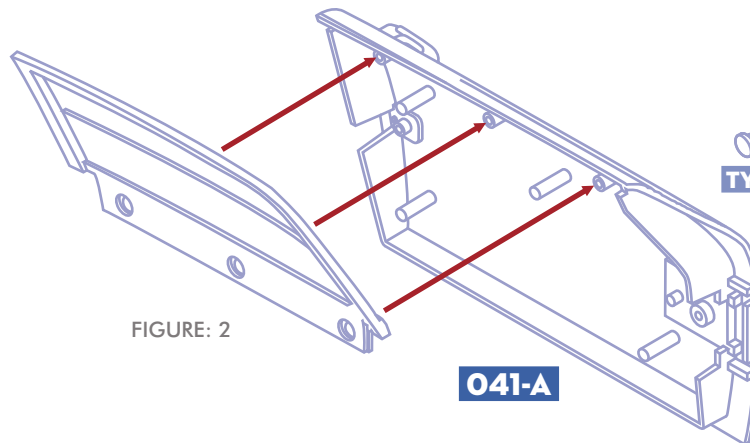
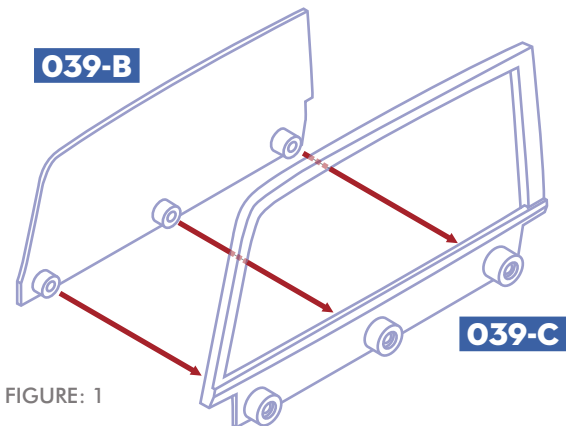
LEFT/PASSENGER DOOR

Constructing the **PASSENGER DOOR** of your Aston Martin DB5 model.

STEP 3

PARTS: 039-B, 039-C, 041-A

Fit the window frame (**039-C**) to the left door (**041-A**), clip the window (**039-B**) on top of this. Use three Type C screws to fasten it all together.

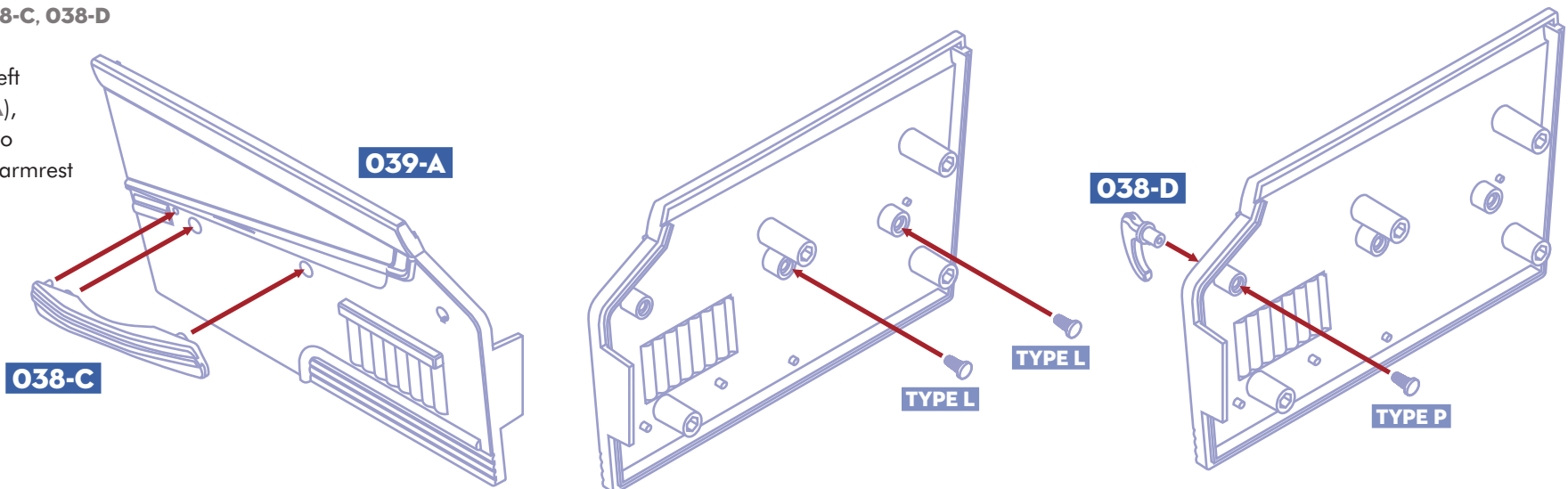


Set this assembled section aside for a moment.

STEP 4

PARTS: 039-A, 038-C, 038-D

Clip the arm rest (**038-C**) onto the left door panel (**039-A**), fastening it with two Type L screws (the armrest fits only one way.) Then fit the inside door handle (**038-D**) with one Type P screw.



THE FRONT BODY

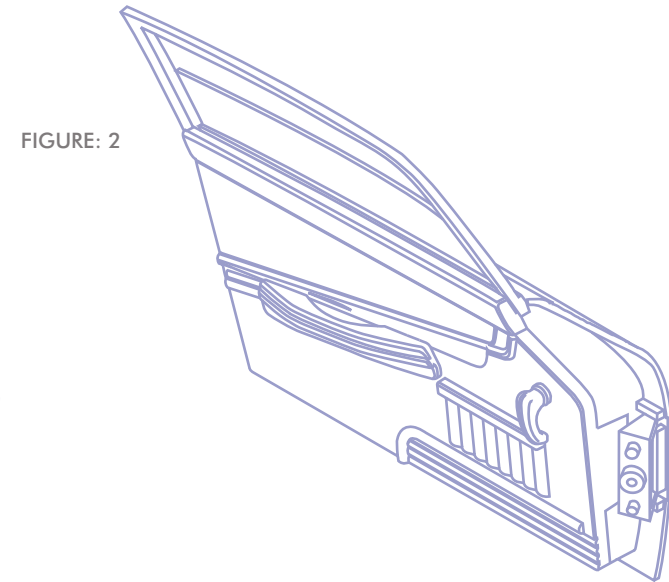
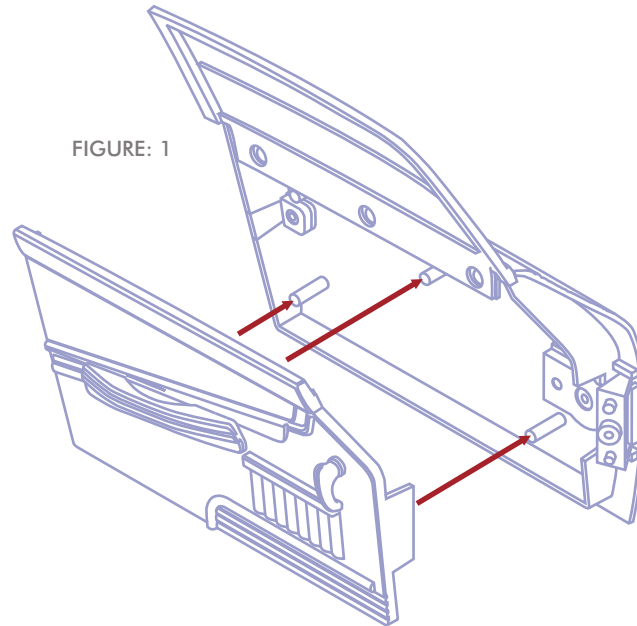
LEFT/PASSENGER DOOR

Constructing the **PASSENGER DOOR** of your Aston Martin DB5 model.

STEP 5

PARTS: THE ASSEMBLED SECTIONS

Fit together the completed inside door panel and the assembled passenger door. Some careful force and patience are needed here because the pieces need to fit together very tightly.



Put this section to one side for the moment.