

THE FRONT BODY

Fitting the **FRONT SECTION** together.

THE PARTS YOU WILL NEED:

READER-ASSEMBLED PARTS

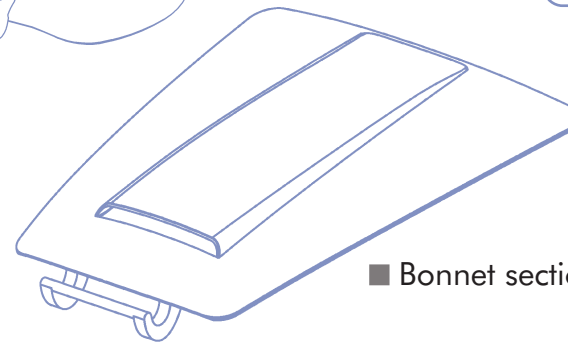
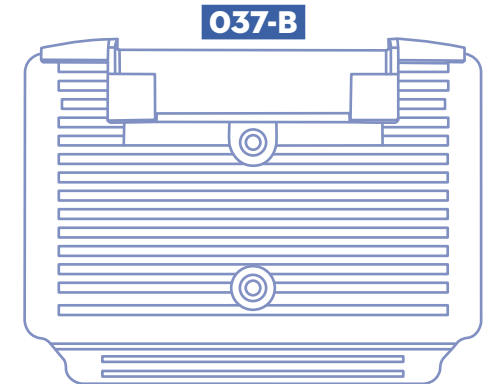
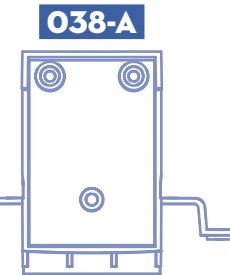
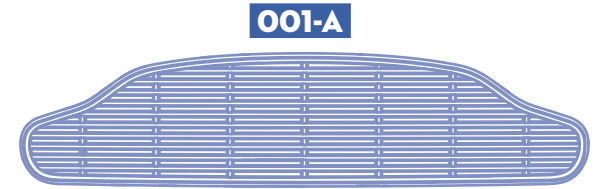
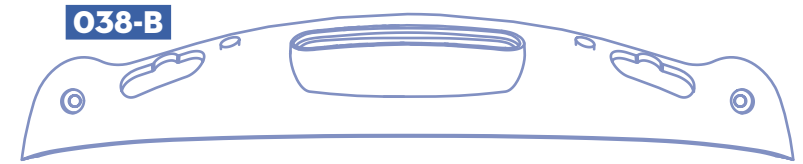
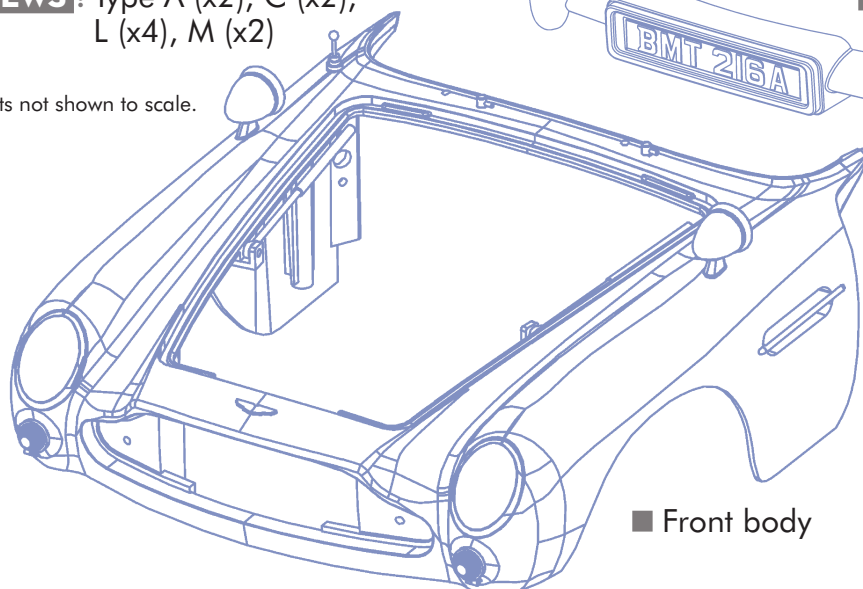
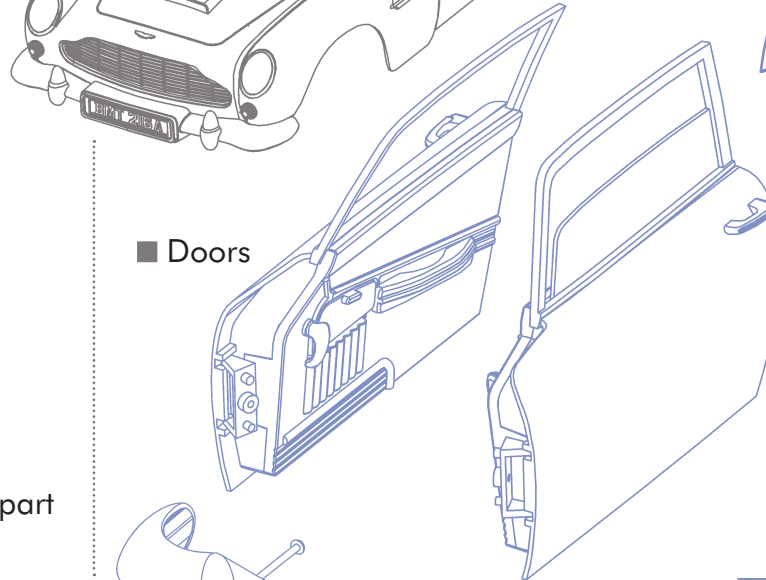
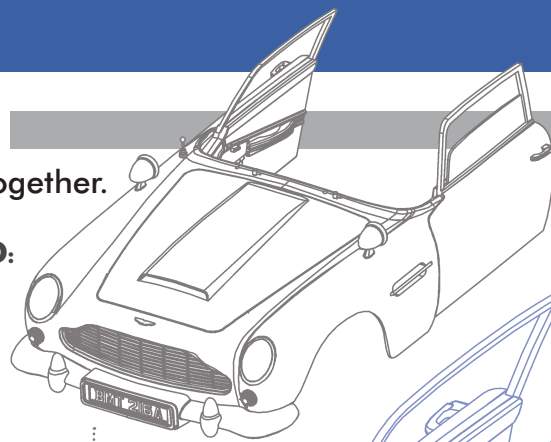
- Bonnet section
- Doors
- Front bumper
- Front body

NUMBERED PARTS:

- 001-A**: Radiator grille
- 037-B**: Radiator front
- 037-C**: Radiator rear
- 038-A**: Front bumper base part
- 038-B**: Front bumper base
- SCREWS**: Type A (x2), C (x2), L (x4), M (x2)

NOTE: Parts not shown to scale.

COMPLETING THIS SECTION



■ Doors

■ Front bumper

■ Bonnet section

■ Front body

THE FRONT BODY

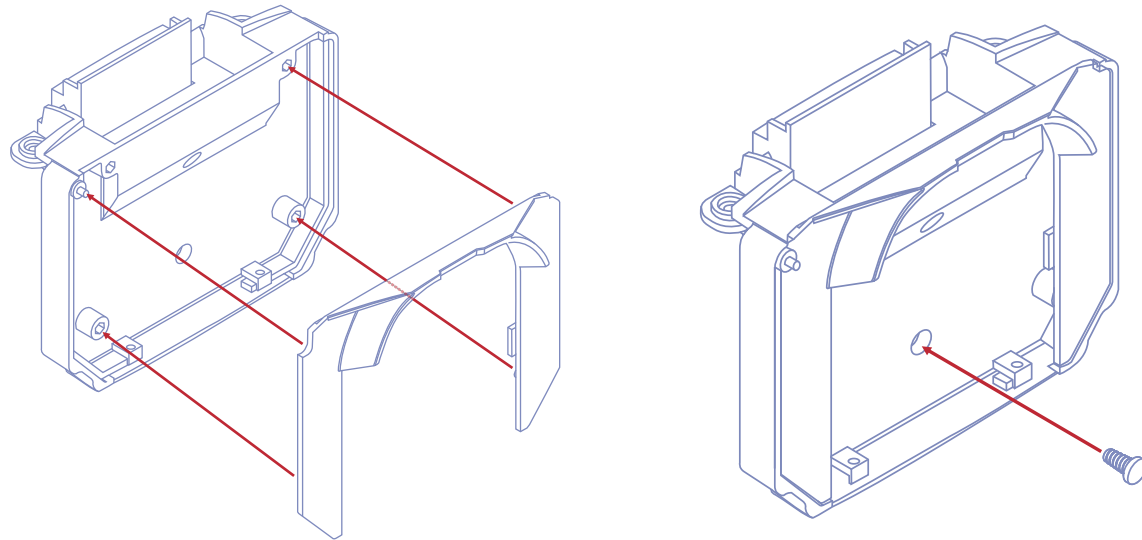
COMPLETING THIS SECTION

Fitting the **FRONT SECTION** together.

STEP 1

PARTS: 037-B, 037-C

Clip the radiator front (**037-B**) and the radiator rear (**037-C**) together.



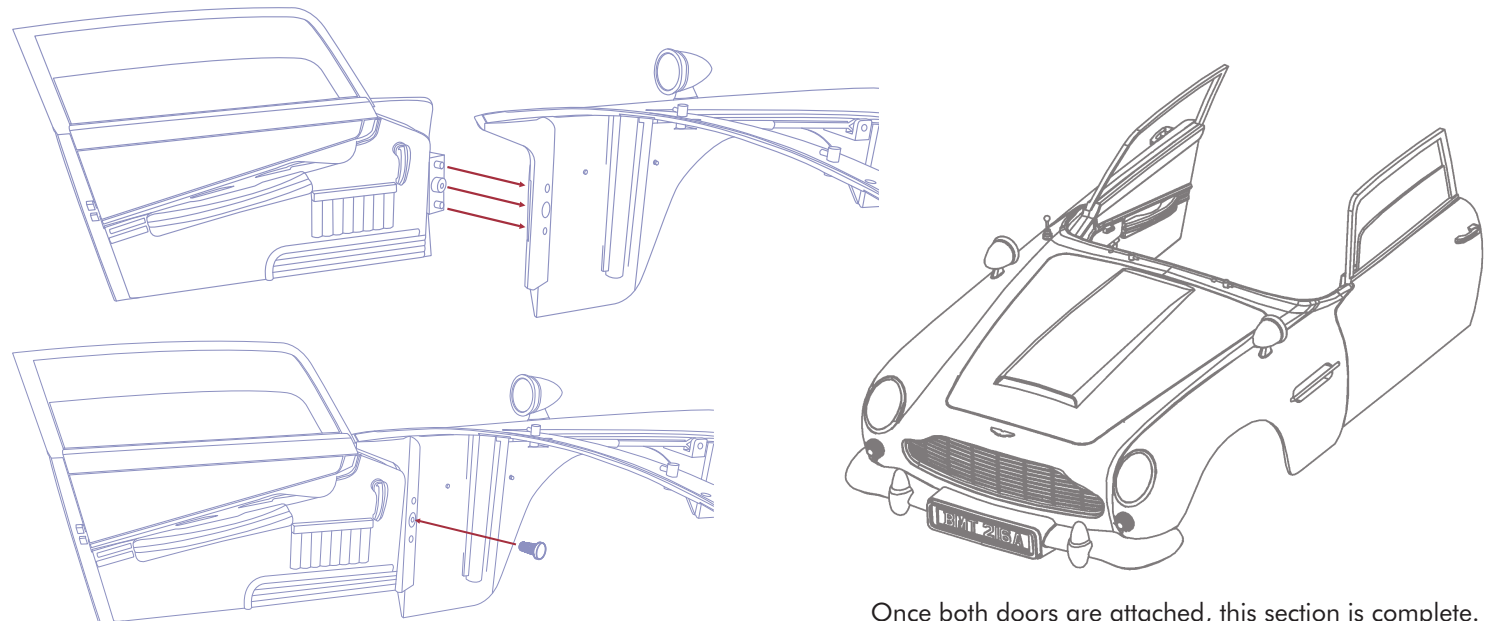
Put this section to one side for the moment.

STEP 2

PARTS: THE DOORS

Hold the door hinges against the front wings and fix in place using Type M screws.

Please note the illustration only shows how to fit the left/passenger door. It's the same method for the right/driver's door.



Once both doors are attached, this section is complete.

THE FRONT BODY

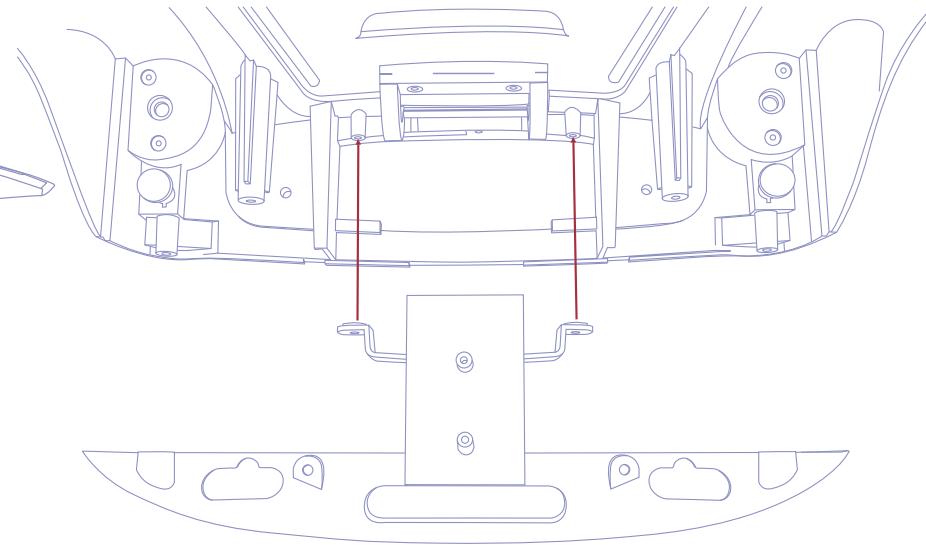
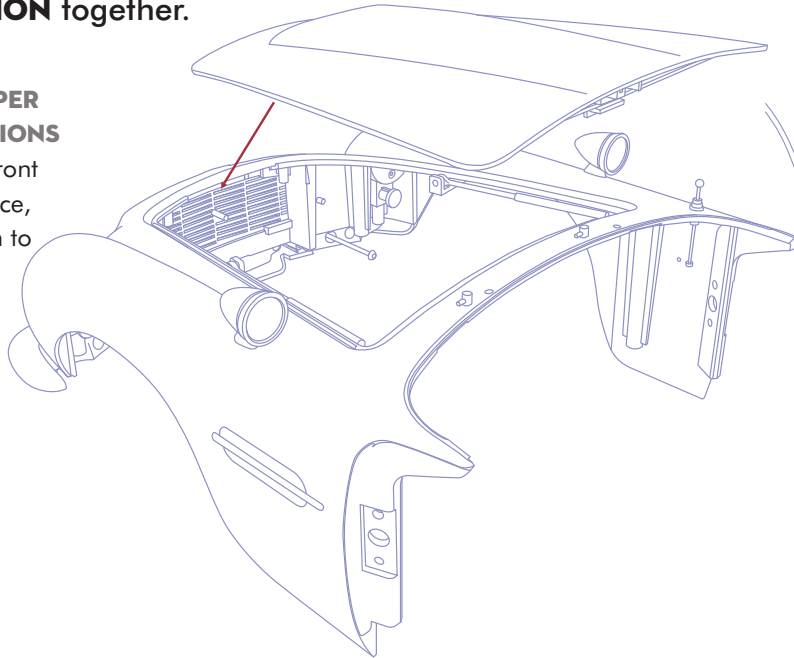
COMPLETING THIS SECTION

Fitting the **FRONT SECTION** together.

STEP 3

PARTS: BONNET, FRONT BUMPER BASE AND FRONT BODY SECTIONS

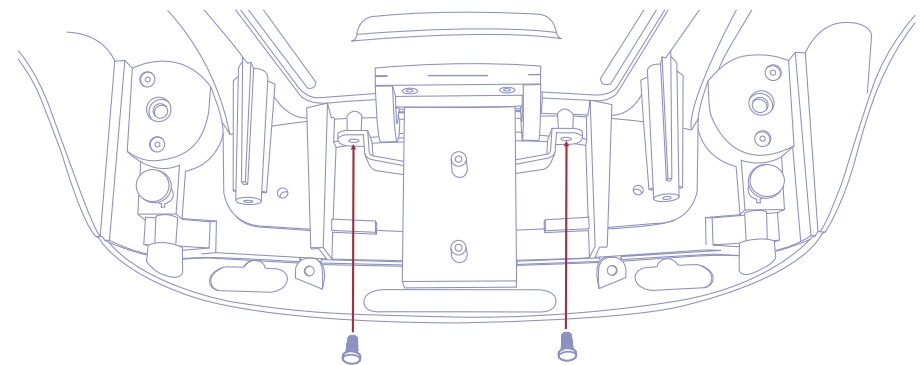
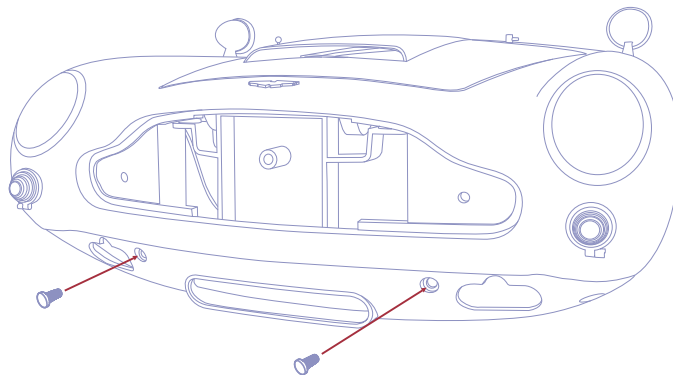
Place the bonnet on top of the front body. Keeping the bonnet in place, fit the front bumper base section to the front body.



STEP 4:

PARTS: FRONT BUMPER BASE SECTION, FRONT BODY

Use two Type A screws to fix the front bumper base section to outside of the front body, and two Type C screws to fix it to the inside of the front body (underneath the bonnet).



THE FRONT BODY

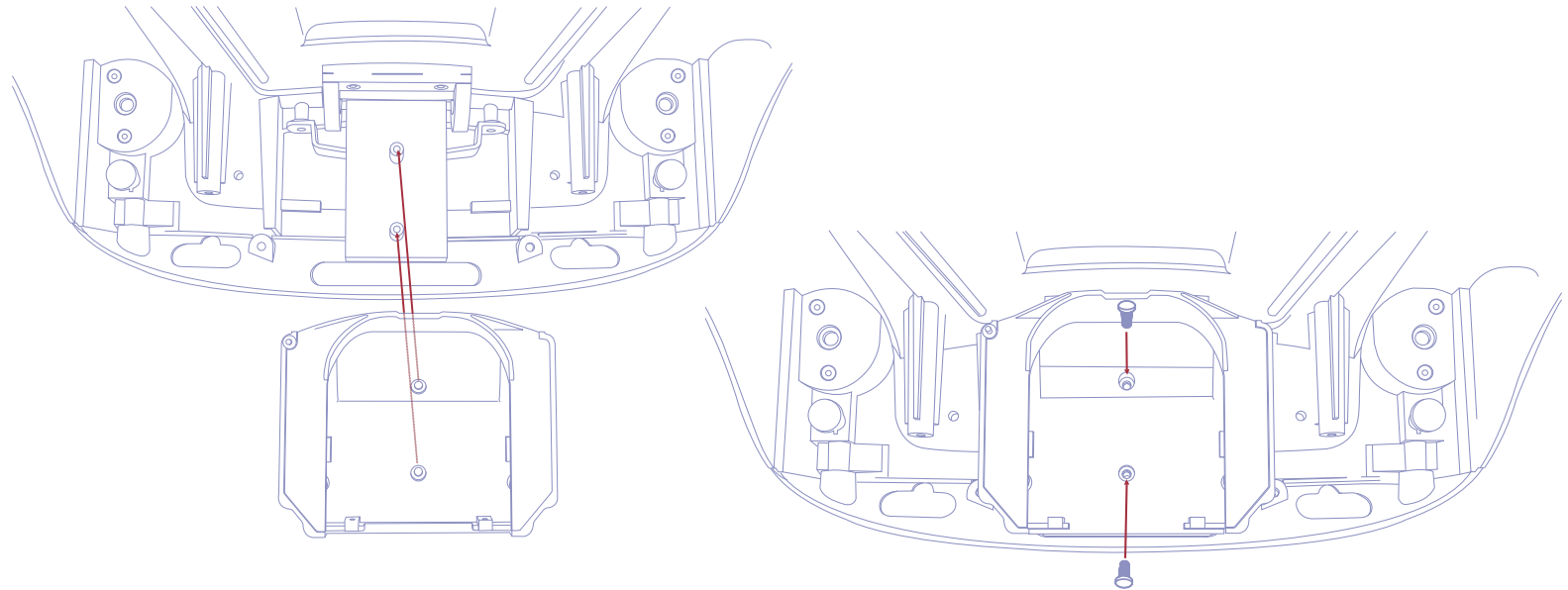
COMPLETING THIS SECTION

Fitting the **FRONT SECTION** together.

STEP 5

PARTS: ASSEMBLED FRONT BODY SECTION, RADIATOR SECTION

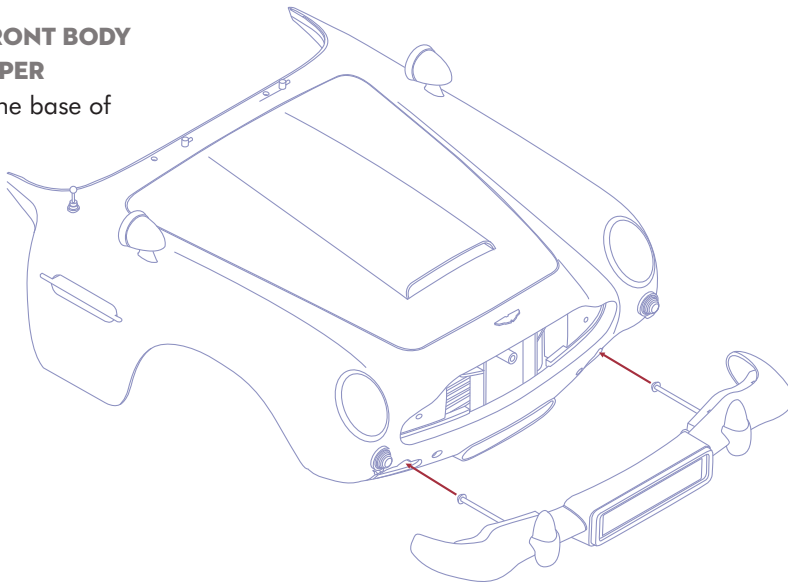
Fit the radiator section into position, underneath the bonnet, as shown. Fasten the radiator section in with two Type L screws.



STEP 6

PARTS: ASSEMBLED FRONT BODY SECTION, FRONT BUMPER

Fit the front bumper to the base of the front body section.



THE FRONT BODY

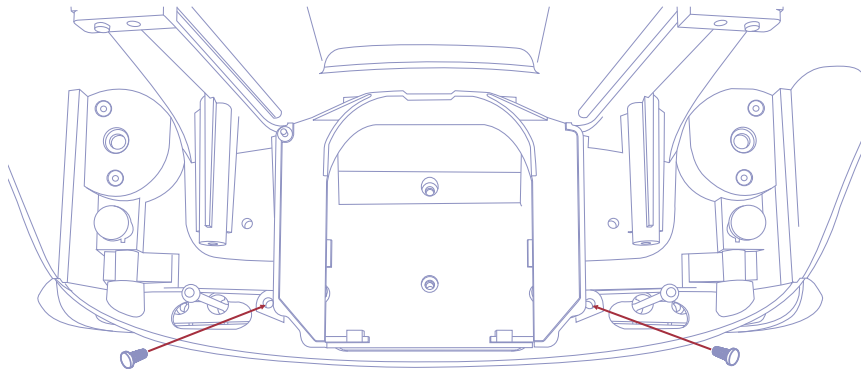
COMPLETING THIS SECTION

Fitting the **FRONT SECTION** together.

STEP 7

PARTS: ASSEMBLED FRONT BODY SECTION, FRONT BUMPER

From inside the front body, on either side of the radiator, use 2 Type L screws to fix the front bumper in place.



STEP 8

PARTS: 001-A, FRONT BODY SECTION

Clip the radiator grille (001-A) into place, as shown.

