

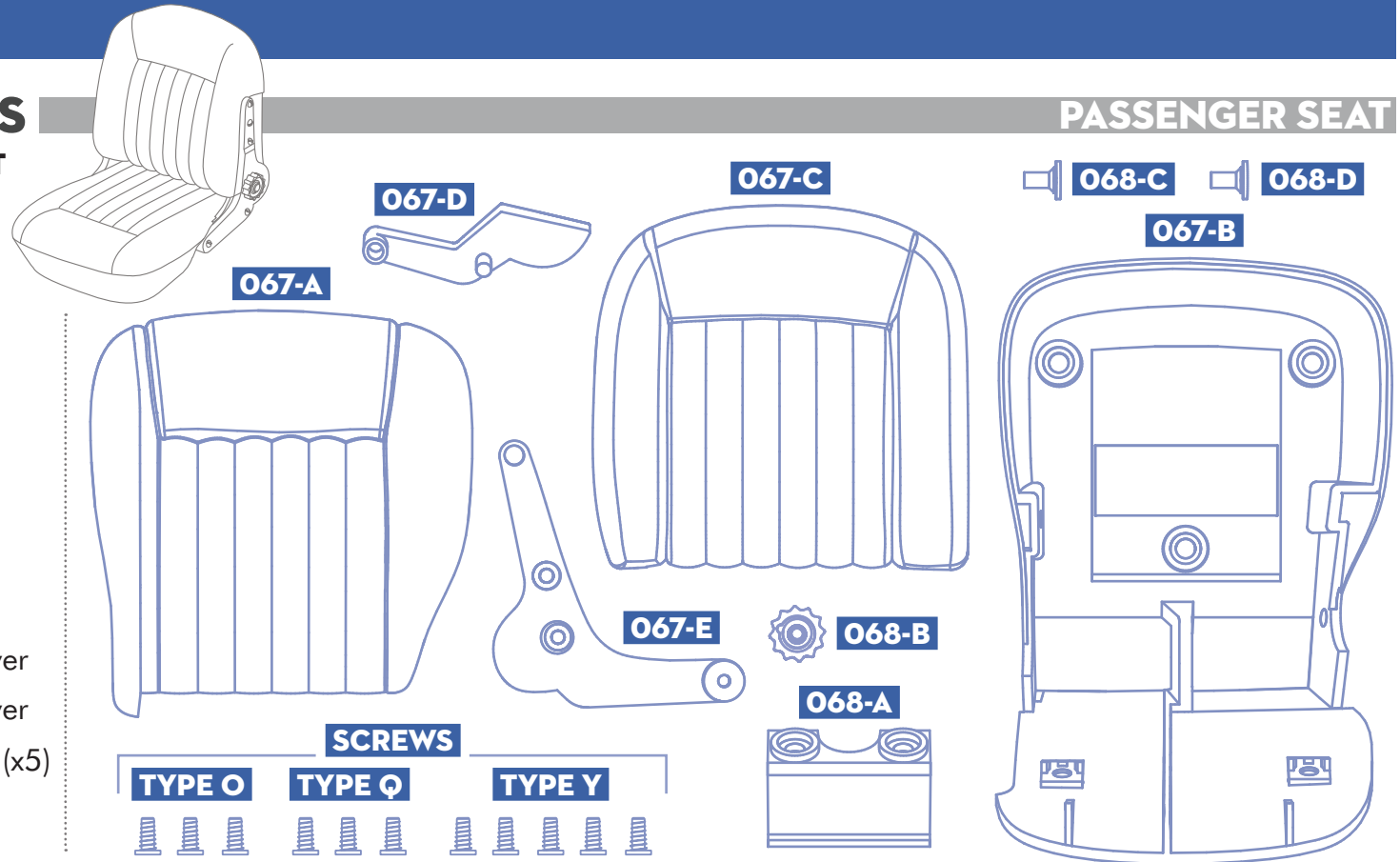
ADDING THE CHASSIS

Constructing the **PASSENGER SEAT** of your Aston Martin DB5 model.

PASSENGER SEAT

THE PARTS YOU WILL NEED:

- 067-A** : Passenger's seat top
- 067-B** : Passenger seat body
- 067-C** : Passenger seat back
- 067-D** : Passenger seat right arm
- 067-E** : Passenger seat left arm
- 068-A** : Ejector seat hook
- 068-B** : Passenger seat adjustor
- 068-C** : Passenger seat screw cover
- 068-D** : Passenger seat screw cover
- SCREWS** : Type O (x3), Q (x3), Y (x5)

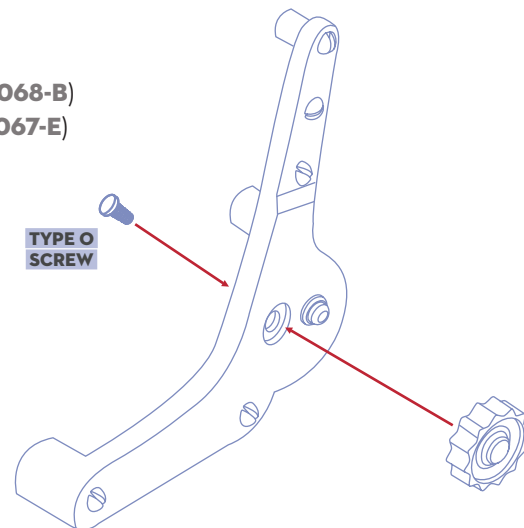


NOTE: Parts not shown to scale.

STEP 1

PARTS: 067-E, 068-B

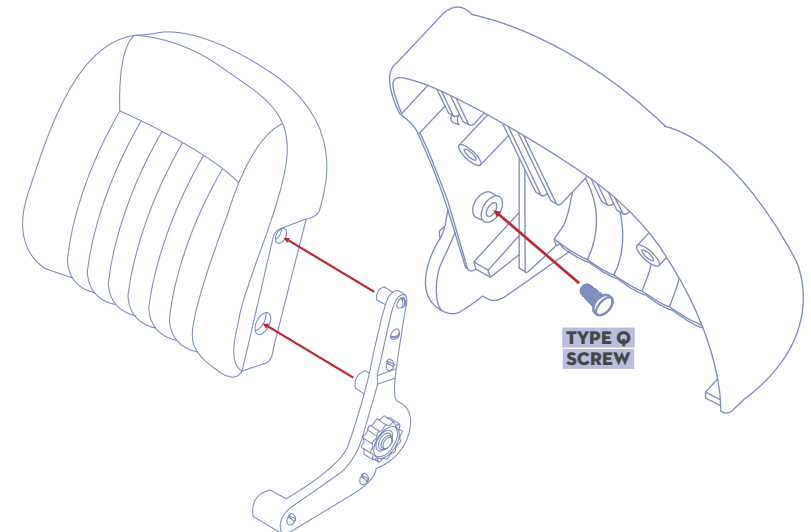
Screw together the seat adjustor (**068-B**) and the passenger seat left arm (**067-E**) with a single Type O screw.



STEP 2

PART: 067-C

Fix the left arm to the passenger seat back (**067-C**). Use one Type Q screw to fasten them together.



ADDING THE CHASSIS

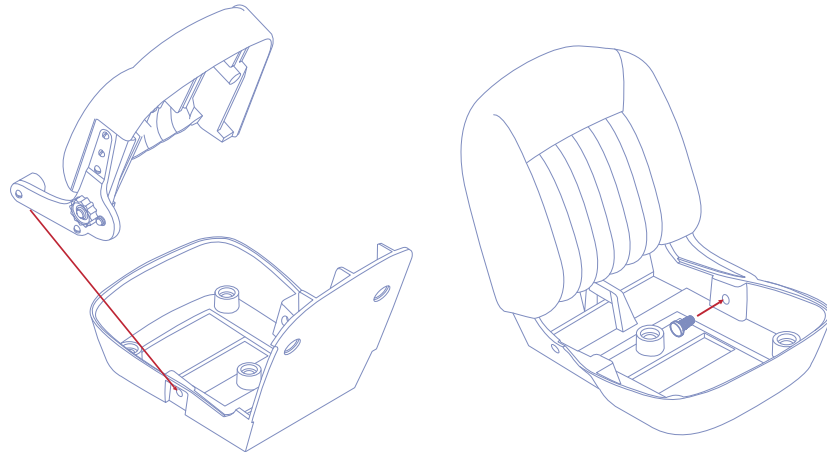
PASSENGER SEAT

Constructing the **PASSENGER SEAT** of your Aston Martin DB5 model.

STEP 3

PART: 067-B

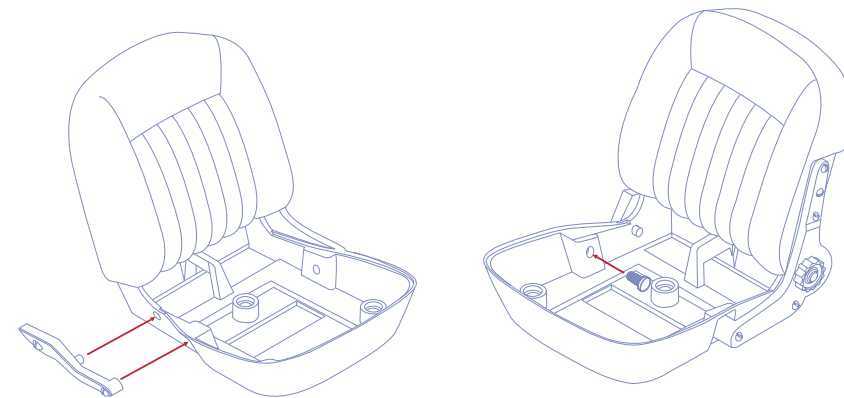
Attach the base of the left arm to the left side of the passenger seat body (**067-B**) as shown. Use one Type Q screw to fix the pieces together.



STEP 4

PART: 067-D

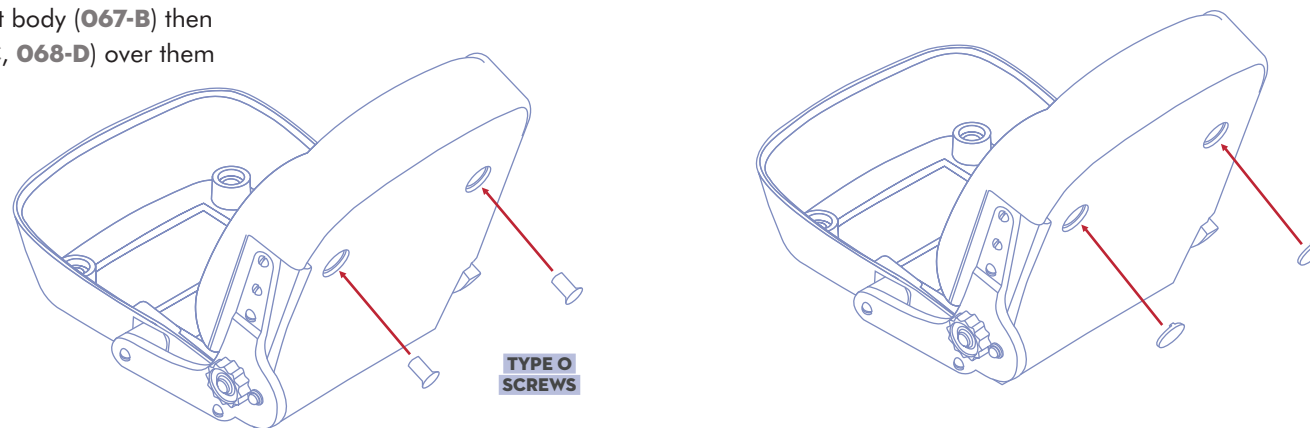
Clip in the right arm (**067-D**) to the passenger seat body. Then fasten securely in place with a type Q screw.



STEP 5

PART: 068-C, 068-D

Clip together the passenger seat body and the passenger seat back. Fasten two Type O screws into the back of the passenger seat body (**067-B**) then place the screw covers (**068-C, 068-D**) over them for a neat finish.



ADDING THE CHASSIS

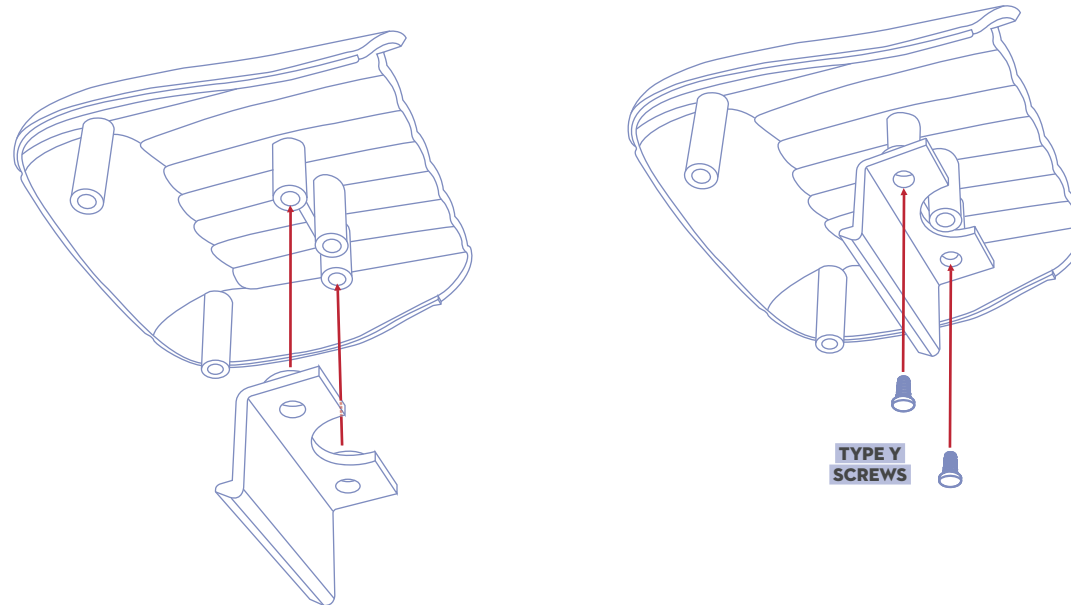
PASSENGER SEAT

Constructing the **PASSENGER SEAT** of your Aston Martin DB5 model.

STEP 6

PARTS: 067-A, 068-A

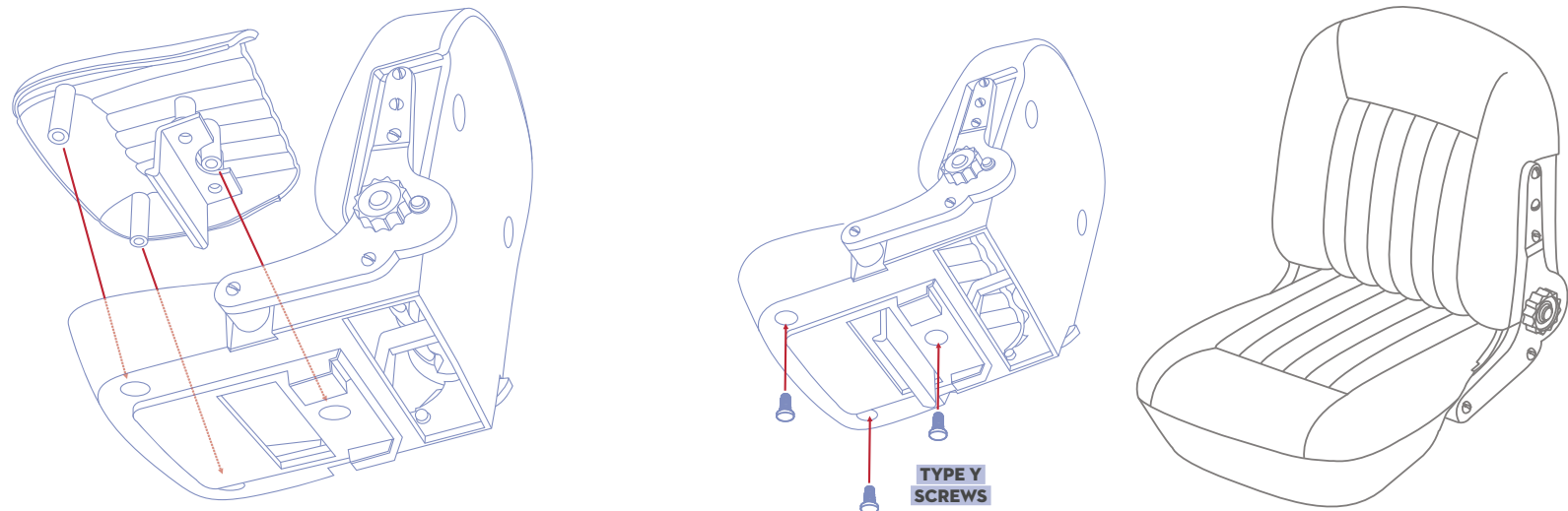
Clip the ejector seat hook piece (**068-A**) to the base of the passenger seat top (**067-A**) then use two Type Y screws to keep them attached.



STEP 7

PARTS: AS STEP ABOVE

Join the assembled sets together by feeding the seat hook through the base of the passenger seat body. Fasten the two pieces together by screwing three type Y screws into the underside of the passenger seat body.



Put the assembled chair to one side for the moment.