

# ADDING THE CHASSIS

COMPLETING your Aston Martin DB5 model.

# COMPLETING THE MODEL

## THE PARTS YOU WILL NEED:

### READER-ASSEMBLED PARTS:

**SECTION 1**: The engine and interior

**SECTION 2**: The roof and rear

**SECTION 3**: The front of the car

**SECTION 4**: The ejector seat, the chassis and rear wheels

### NUMBERED PARTS:

**006-I**: Removable roof

**037-D**: Water tank part

**084-C**: Wire retainer

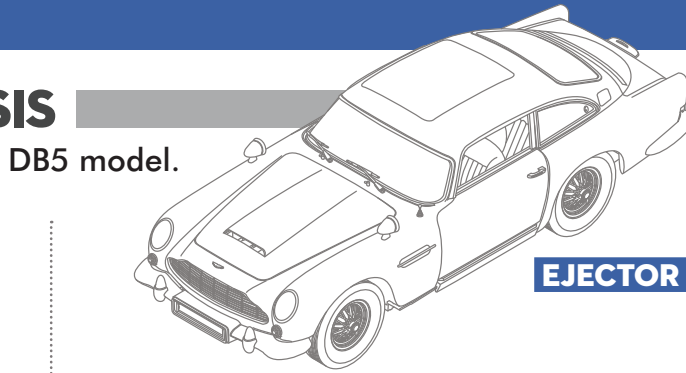
**084-D**: Wire retainer

**085-A**: Left windscreen wiper

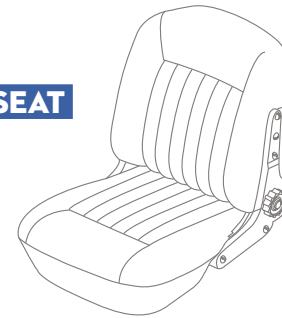
**085-D**: Right windscreen wiper

**SCREWS**: Type A (x8), C (x4), G (x8), R (x2)

**SECTION 3**



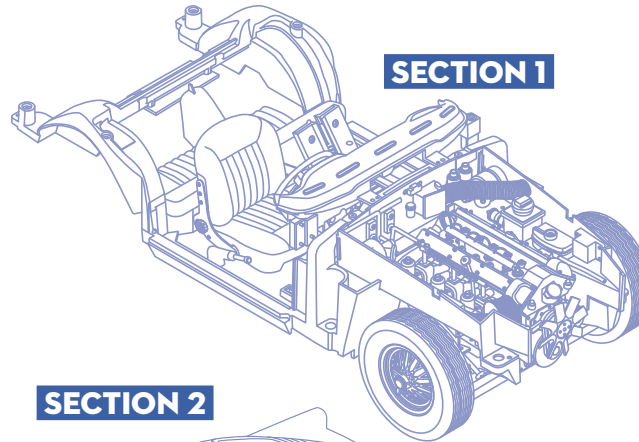
**EJECTOR SEAT**



**006-I**



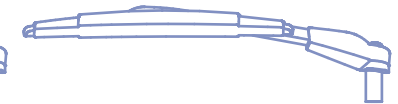
**SECTION 1**



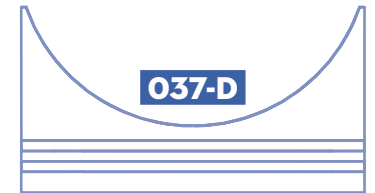
**085-A**



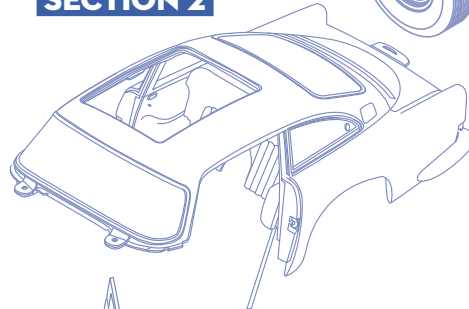
**085-D**



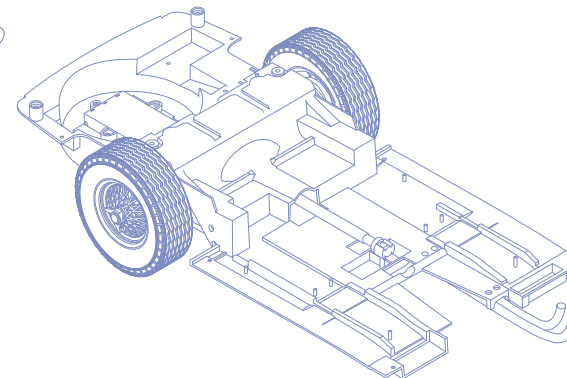
**037-D**



**SECTION 2**



**CHASSIS AND REAR WHEELS**



**084-C**



**084-D**



**SCREWS**

**TYPE A**



**TYPE C**



**TYPE G**



**TYPE R**



NOTE: Parts not shown to scale.

## ADDING THE CHASSIS

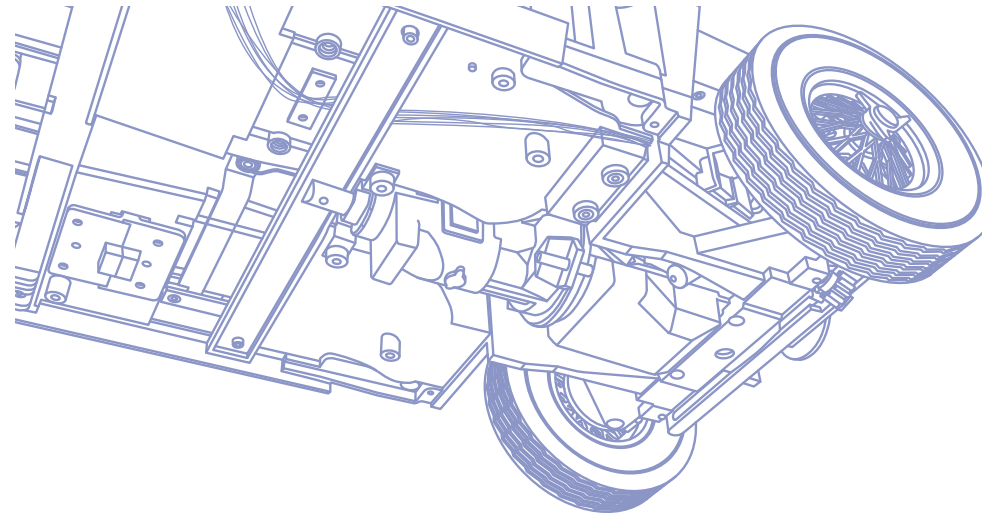
## COMPLETING THE MODEL

**COMPLETING** your Aston Martin DB5 model.

### STEP 1

**PARTS: 084-C, 084-D,  
SECTION 1**

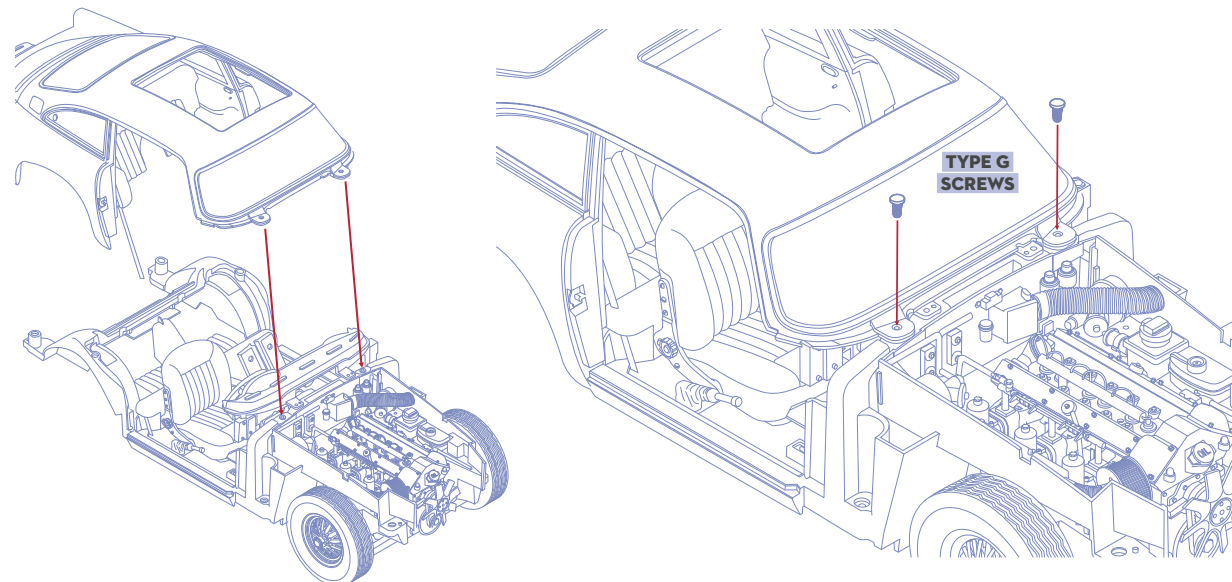
Turn over the completed engine and interior assembly. Tidying the wires, place the retainers (**084-C, 084-D**) over them. Clip the retainers in place to the floor panel, as shown.



### STEP 2

**PARTS: SECTION 1, SECTION 2**

Carefully place the roof and rear (**SECTION 2**) onto the engine and interior assembly (**SECTION 1**). The two front windscreen tabs fit onto the car frame. Making sure you keep the electrical connections clear at all times, screw these into place using 2 type G screws.



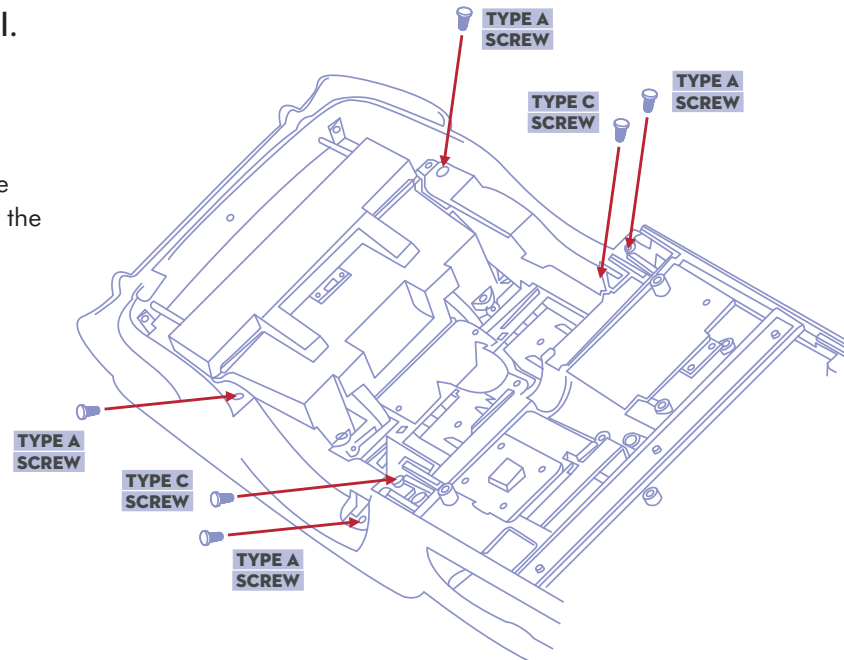
## ADDING THE CHASSIS

## COMPLETING THE MODEL

COMPLETING your Aston Martin DB5 model.

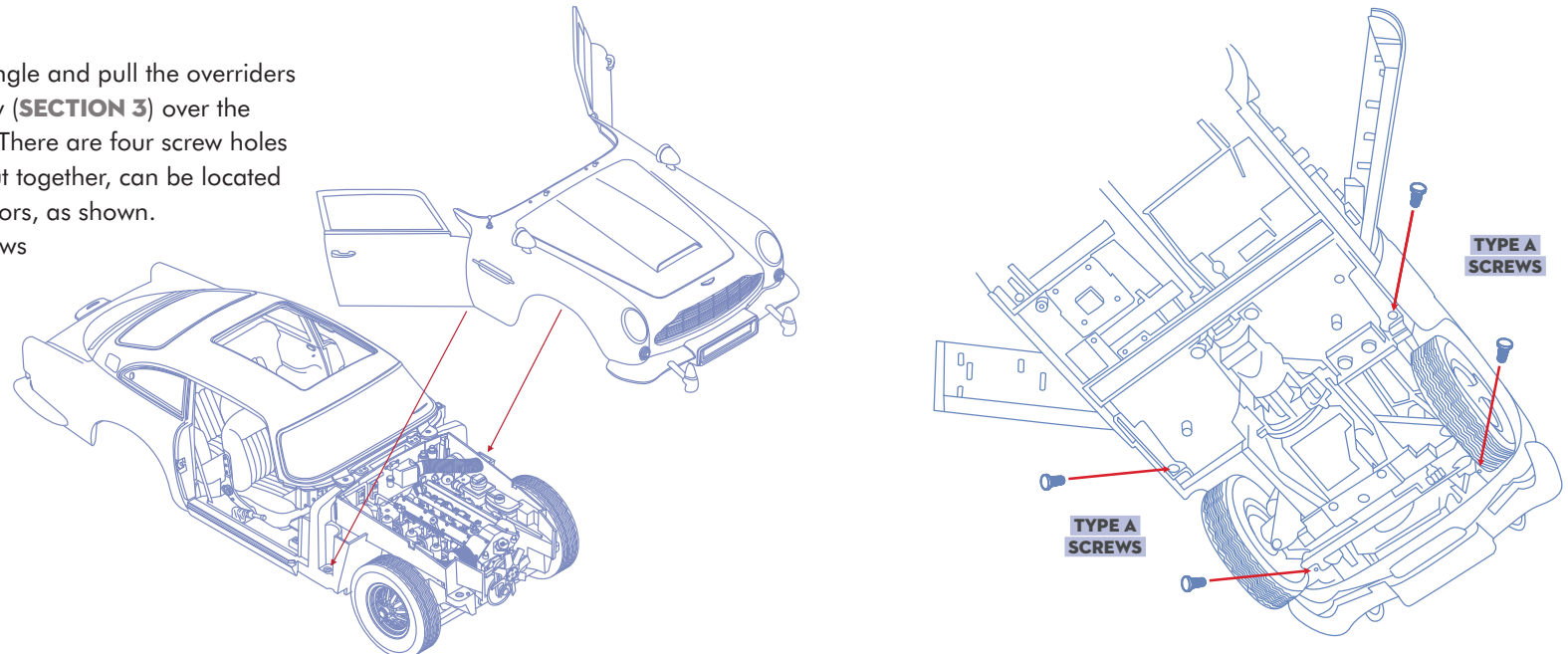
### STEP 3

There are six screw holes on the underside of the car. Use four Type A screws for the connections by the rear wheel arches and one Type C screw by each door. Make sure the electrical connections from the headlights are tucked over the wheels so that they don't trail under the wheels.



### STEP 4

Hold both doors open at a 45° angle and pull the overrides out. Carefully place the front body (SECTION 3) over the engine and interior (SECTION 1). There are four screw holes that, when the two sections are put together, can be located by the license plate and by the doors, as shown. Fix them together with Type A screws



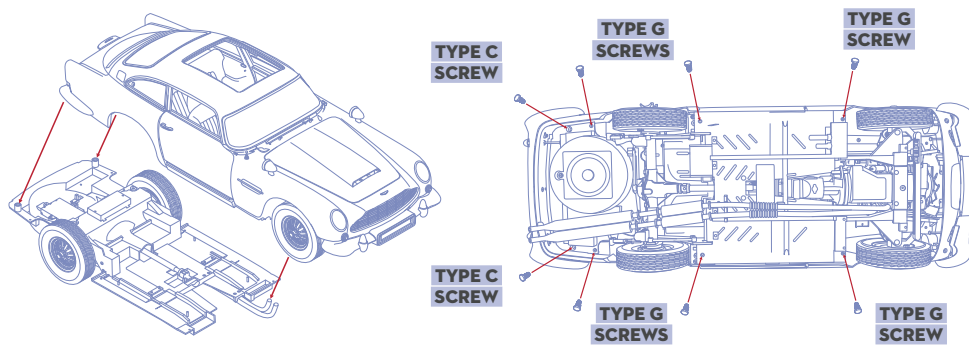
## ADDING THE CHASSIS

COMPLETING your Aston Martin DB5 model.

### STEP 5

#### PARTS: CHASSIS

Connect the battery supply wire to the matching wire from the chassis then add the chassis, as shown, making sure the front of the exhaust fits to the exhaust manifold by the engine block. Fix the chassis to the model with six Type G screws and two Type C screws along the left and right sides of the chassis, as shown.

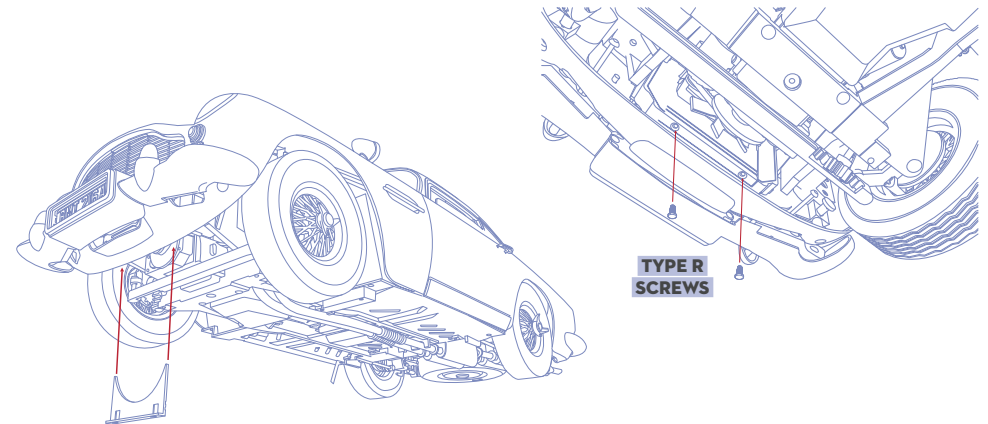


## COMPLETING THE MODEL

### STEP 6

#### PARTS: 037-D

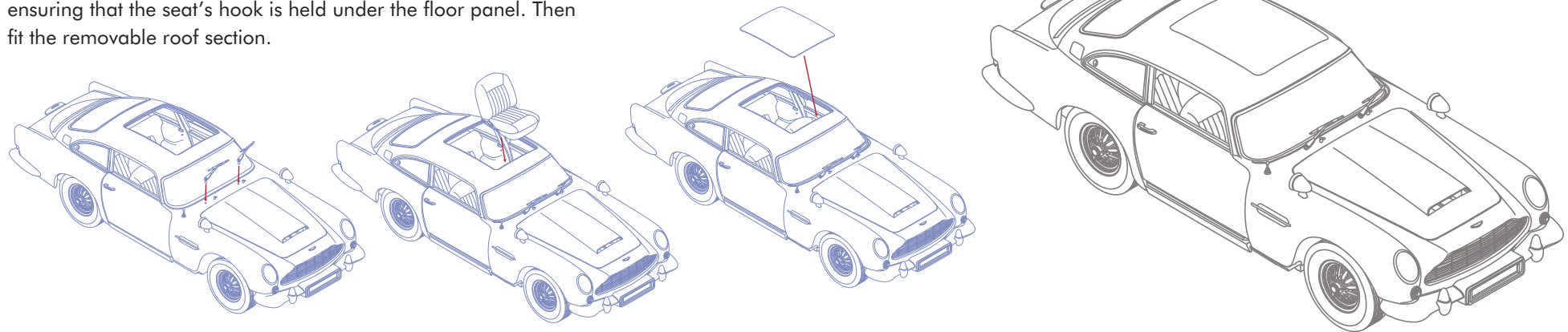
Clip the water tank part (037-D) to the underside of the radiator. Use two Type R screws to fasten the two pieces together.



### STEP 7

#### PARTS: 006-I, 085-A, 085-D, PASSENGER SEAT

Clip the windscreen wipers (085-A, 085-D) to the top of the bonnet. Fix the passenger seat to the ejector seat mechanism, ensuring that the seat's hook is held under the floor panel. Then fit the removable roof section.



Your Aston Martin DB5 model is now complete.